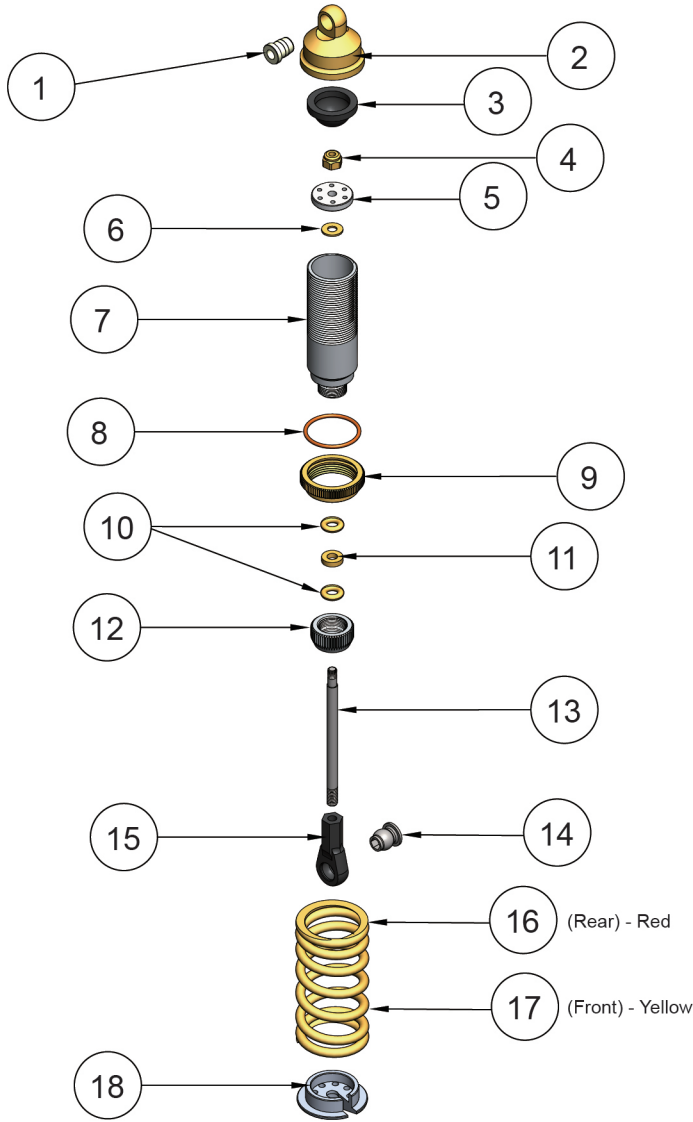




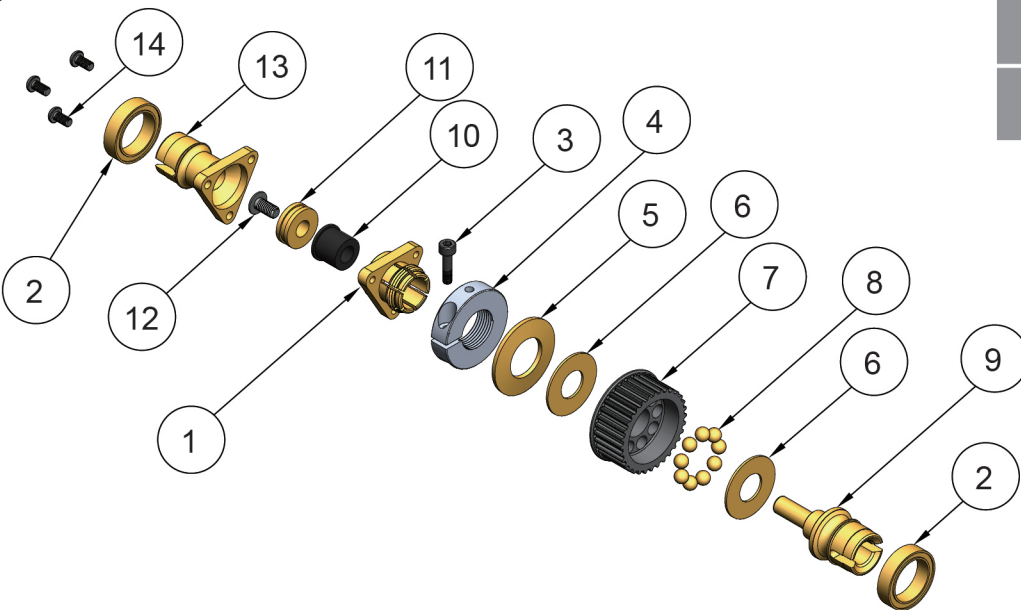
6mt016GT

1:8 Radio Controlled Engine 4WD Racing Car

Instruction & Setup Manual



| | Item No. |
|----|------------|
| 1 | BMT.0467 |
| 2 | BMT.0457 |
| 3 | BMT.0064 |
| 4 | BMT.0463 |
| 5 | BMT.0461-6 |
| 6 | BMT.0462 |
| 7 | BMT.0458 |
| 8 | BMT.0468 |
| 9 | BMT.0465 |
| 10 | BMT.0069 |
| 11 | BMT.0466 |
| 12 | BMT.0459 |
| 13 | BMT.0464 |
| 14 | BMT.1100 |
| 15 | BMT.0111 |
| 16 | BMT.0560 |
| 17 | BMT.0559 |
| 18 | BMT.0460 |

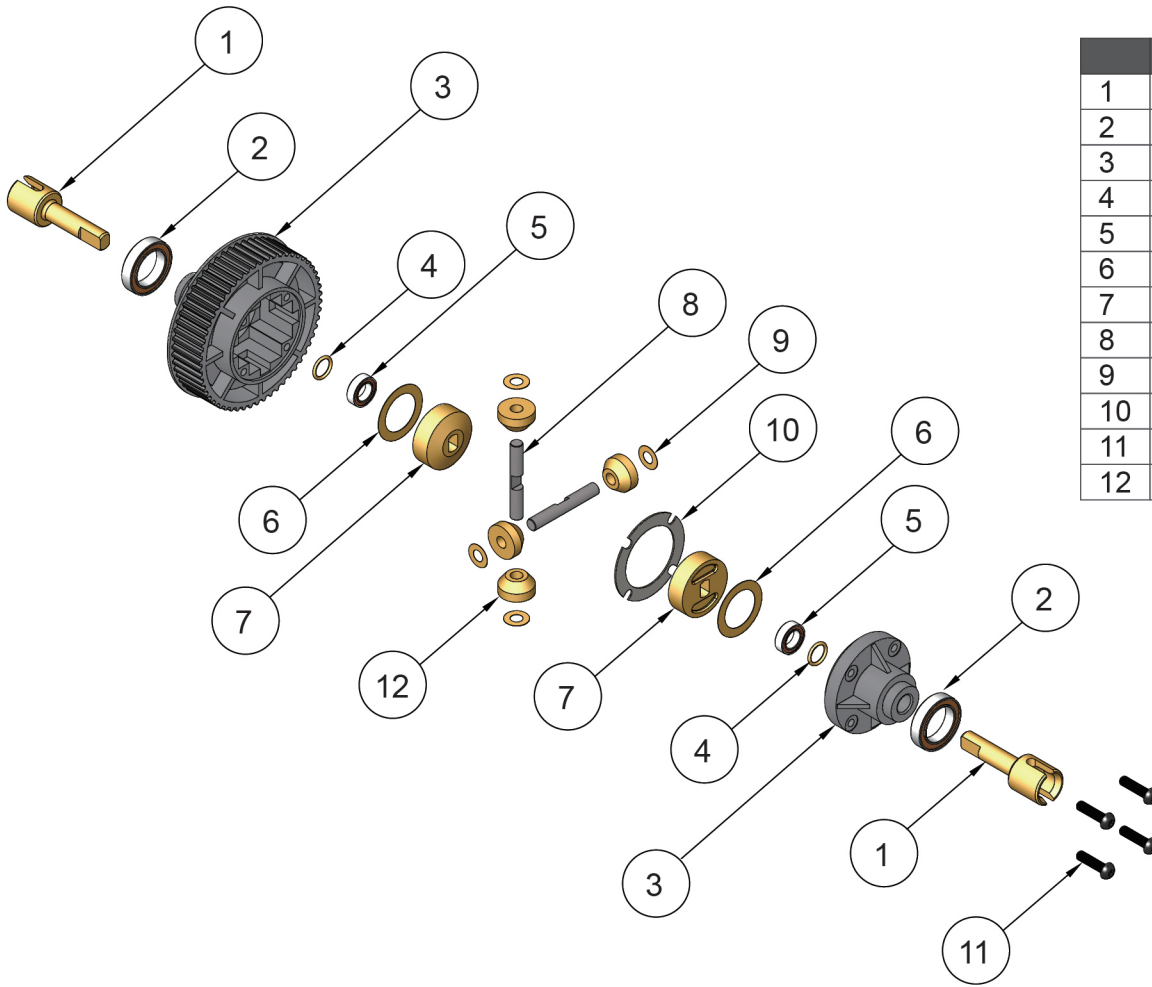


| | Item No. |
|----|------------|
| 1 | BMT.0031 |
| 2 | BMT.0036 |
| 3 | BMT.0159 |
| 4 | BMT.0050 |
| 5 | BMT.0065 |
| 6 | BMT.0037 |
| 7 | BMT.1037 |
| 8 | BMT.0440-S |
| 9 | BMT.0101 |
| 10 | BMT.0449B |
| 11 | BMT.0039 |
| 12 | BMT.0161 |
| 13 | BMT.0100 |
| 14 | BMT.0160 |

Bag B

Bag X

03



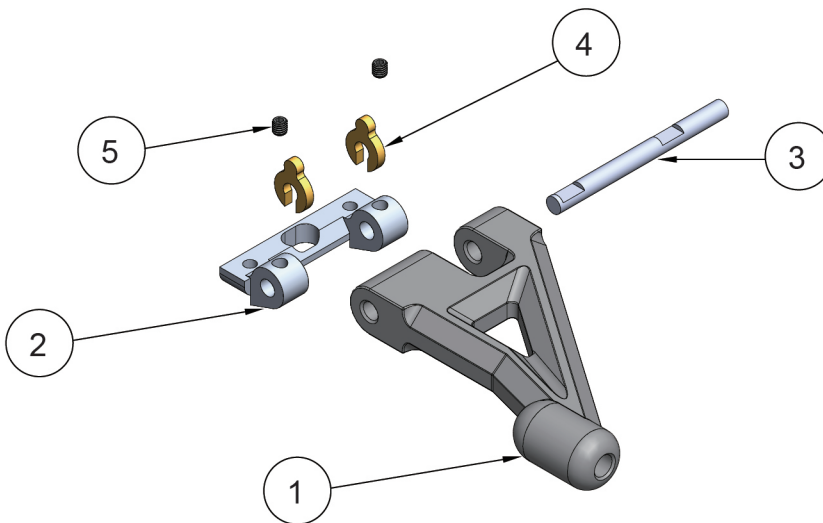
| | Item No. |
|----|----------|
| 1 | BMT.0234 |
| 2 | BMT.1074 |
| 3 | BMT.1060 |
| 4 | BMT.0235 |
| 5 | BMT.0035 |
| 6 | BMT.0237 |
| 7 | BMT.0237 |
| 8 | BMT.0237 |
| 9 | BMT.0237 |
| 10 | BMT.1061 |
| 11 | BMT.0168 |
| 12 | BMT.0237 |

L/R

Bag C

Bag X

04



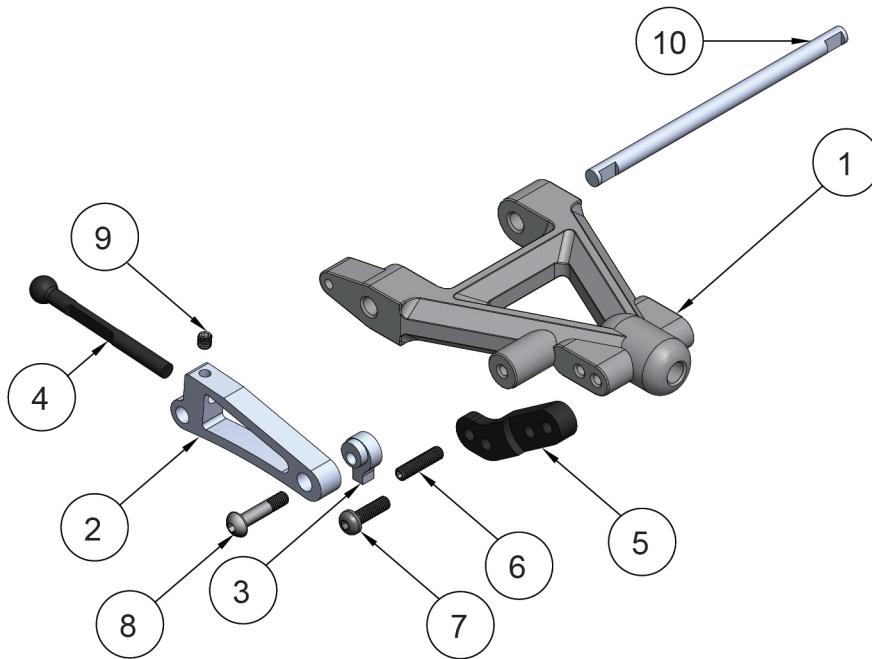
| | Item No. |
|---|----------|
| 1 | BMT.0016 |
| 2 | BMT.1225 |
| 3 | BMT.1016 |
| 4 | BMT.0429 |
| 5 | BMT.0252 |

L/R

Bag C

Bag X

05



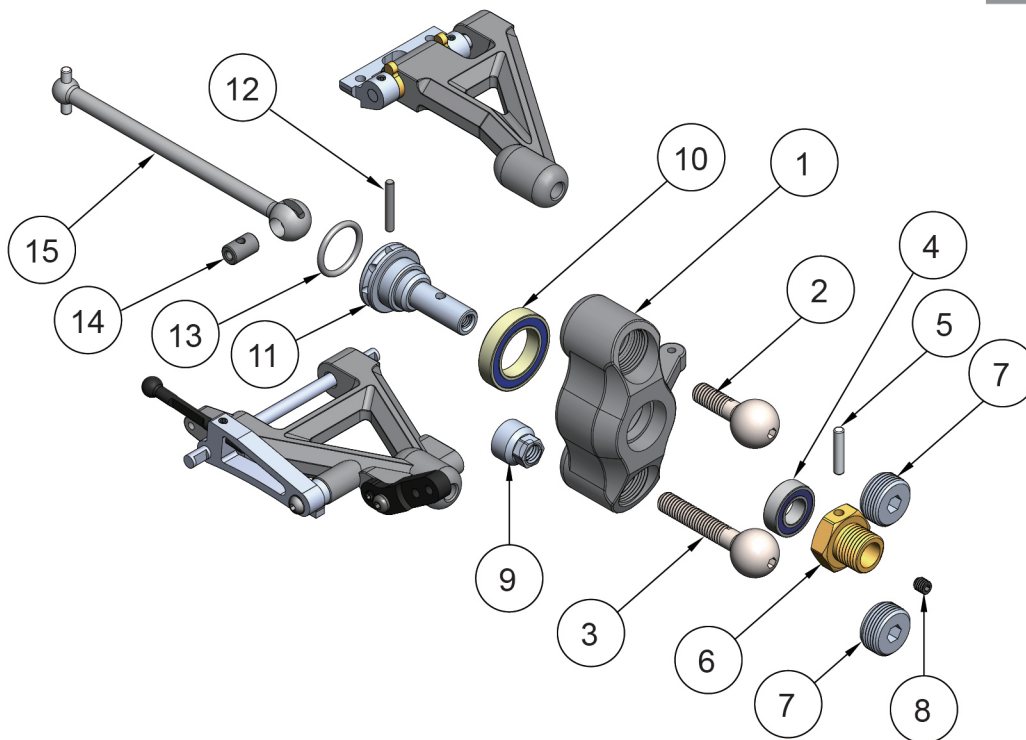
| | Item No. |
|----|------------------|
| 1 | BMT.0015 |
| 2 | BMT.0367-1 left |
| 2 | BMT.0368-1 right |
| 3 | BMT.0366 |
| 4 | BMT.0369-1 |
| 5 | BMT.1026 left |
| 5 | BMT.1025 right |
| 6 | BMT.0255 |
| 7 | BMT.0163 |
| 8 | BMT.0156 |
| 9 | BMT.0252 |
| 10 | BMT.1228 |

L/R

Bag C

Bag X

06



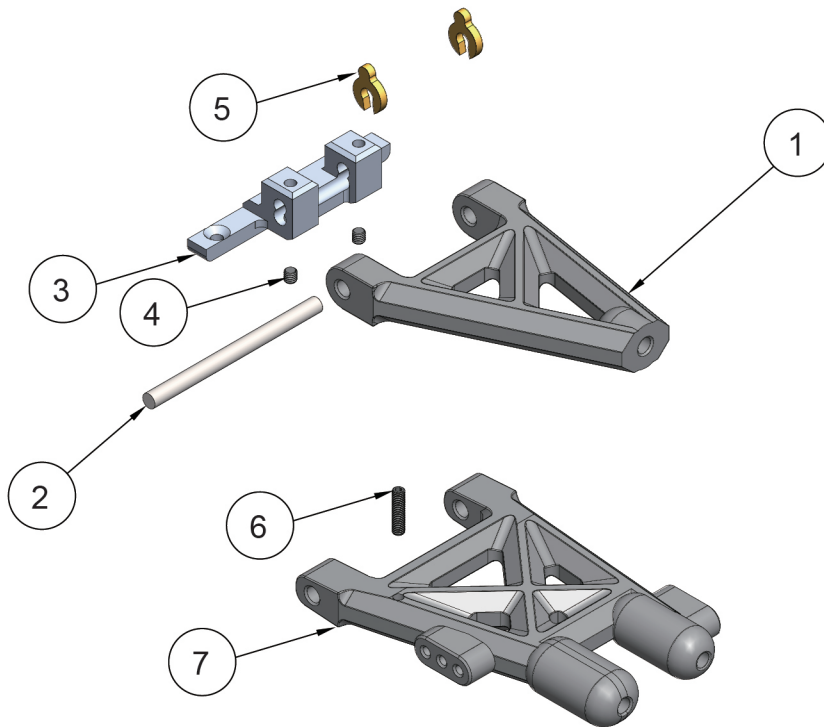
| | Item No. |
|----|------------|
| 1 | BMT.1020 |
| 2 | BMT.0105 |
| 3 | BMT.0390 |
| 4 | BMT.1091 |
| 5 | BMT.0455 |
| 6 | BMT.0453 |
| 7 | BMT.0149 |
| 8 | BMT.0272 |
| 9 | BMT.0443 |
| 10 | BMT.0033 |
| 11 | BMT.0452 |
| 12 | BMT.0454 |
| 13 | BMT.0434 |
| 14 | BMT.0442 |
| 15 | BMT.0394-1 |

L/R

Bag D

Bag X

07



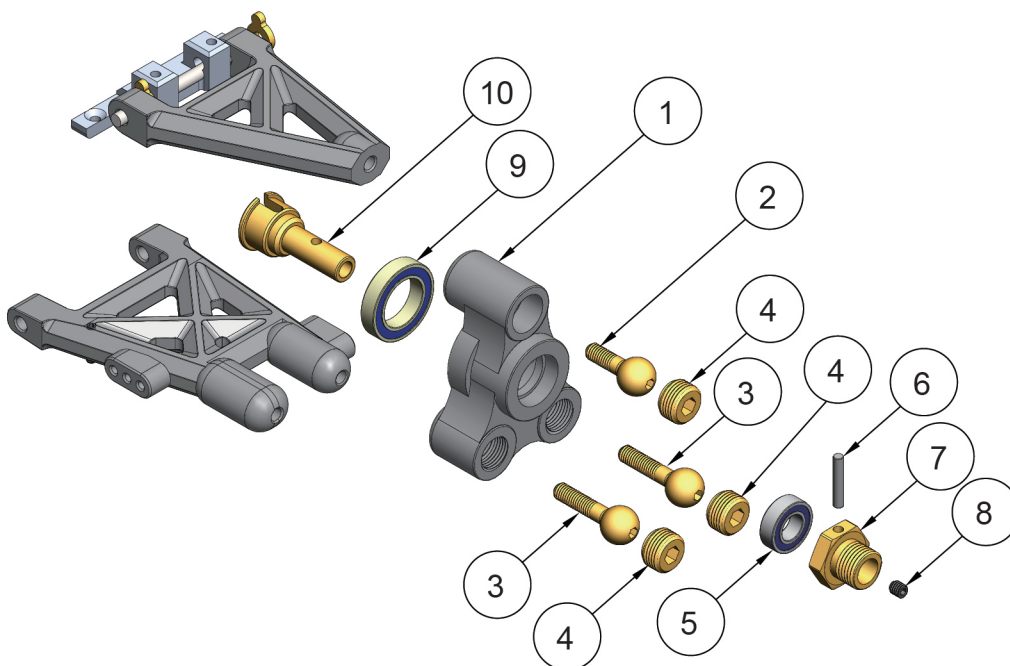
| | Item No. |
|---|----------------|
| 1 | BMT.0018-1 |
| 2 | BMT.1230 |
| 3 | BMT.1232 left |
| 3 | BMT.1233 right |
| 4 | BMT.0252 |
| 5 | BMT.0429 |
| 6 | BMT.0207 |
| 7 | BMT.0017 |

L/R

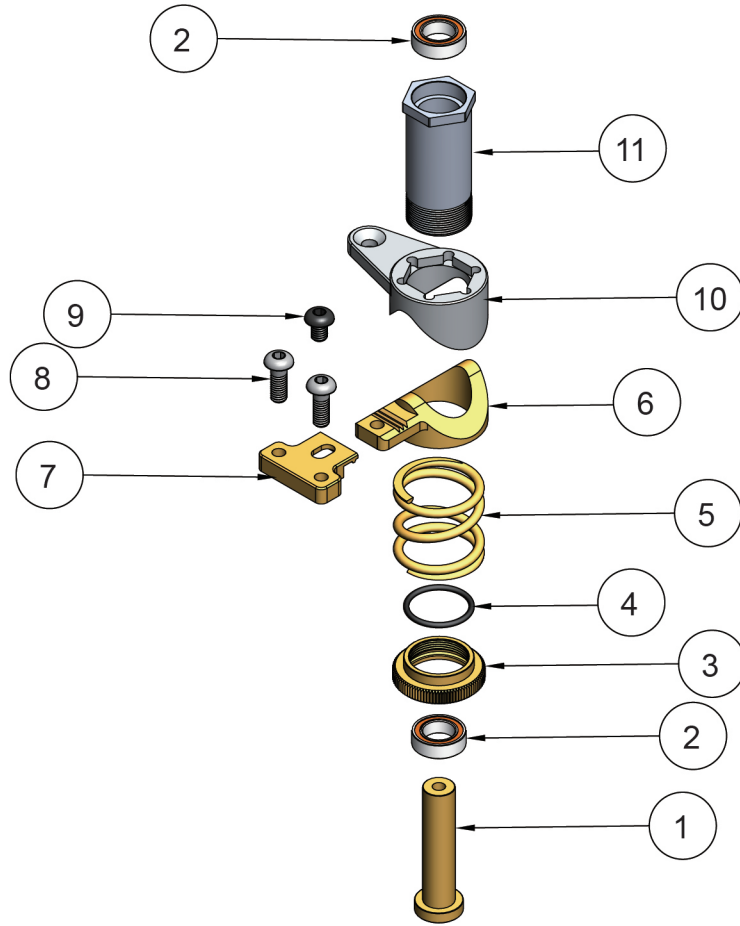
Bag D

Bag X

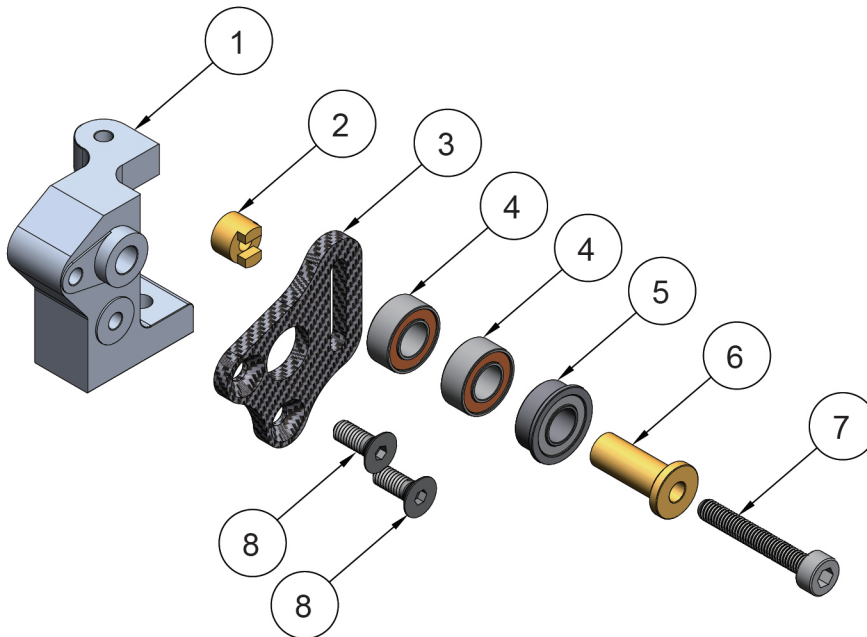
08



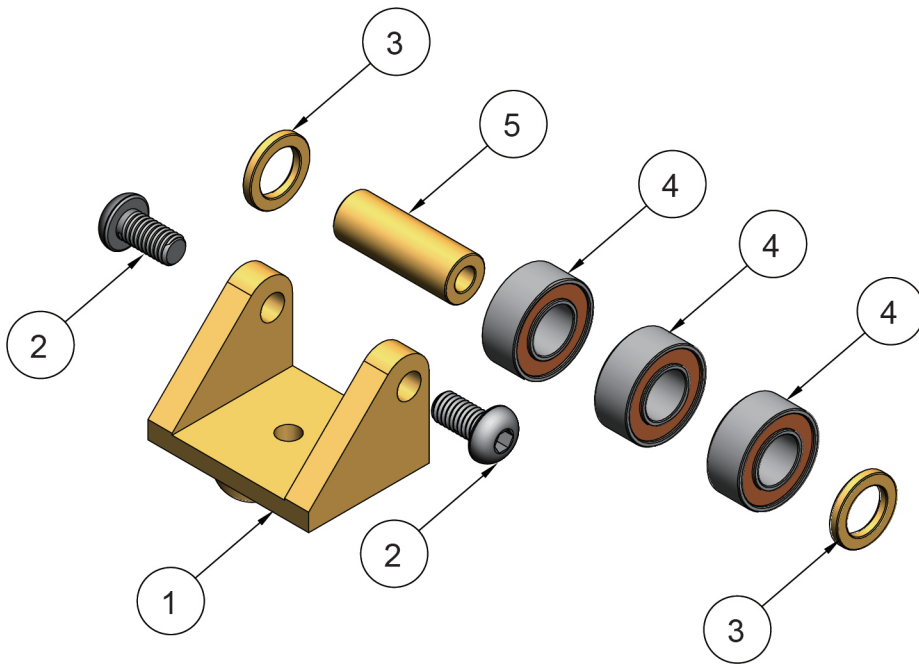
| | Item No. |
|----|------------|
| 1 | BMT.1090 |
| 2 | BMT.0106 |
| 3 | BMT.0106-1 |
| 4 | BMT.0150 |
| 5 | BMT.1091 |
| 6 | BMT.0455 |
| 7 | BMT.0453 |
| 8 | BMT.0272 |
| 9 | BMT.0033 |
| 10 | BMT.1092 |



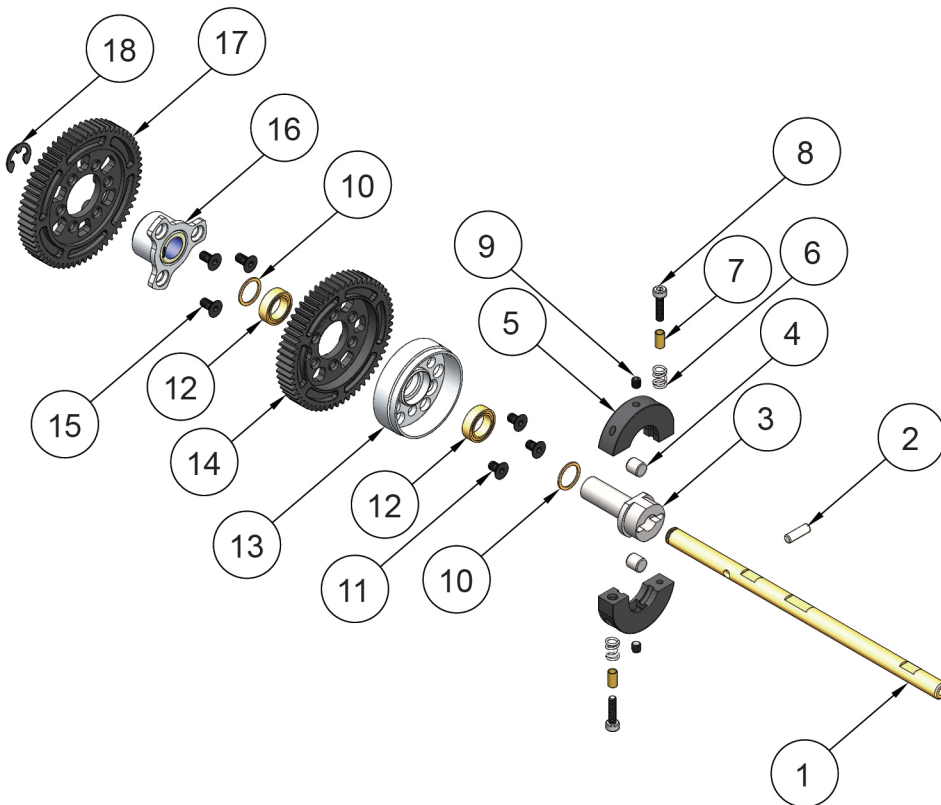
| | Item No. |
|----|------------|
| 1 | BMT.0418 |
| 2 | BMT.0035 |
| 3 | BMT.0419 |
| 4 | BMT.0437 |
| 5 | BMT.0426 |
| 6 | BMT.1103 |
| 7 | BMT.1103 |
| 8 | BMT.0169 |
| 9 | BMT.0160 |
| 10 | BMT.1102 |
| 11 | BMT.0418-1 |



| | Item No. |
|---|------------|
| 1 | BMT.1240 |
| 2 | BMT.1042-1 |
| 3 | BMT.1041 |
| 4 | BMT.0348 |
| 5 | BMT.1043 |
| 6 | BMT.1042 |
| 7 | BMT.0157 |
| 8 | BMT.0164 |



| | Item No. |
|---|------------|
| 1 | BMT.1069 |
| 2 | BMT.0160 |
| 3 | BMT.1069-1 |
| 4 | BMT.0348 |
| 5 | BMT.1069-1 |

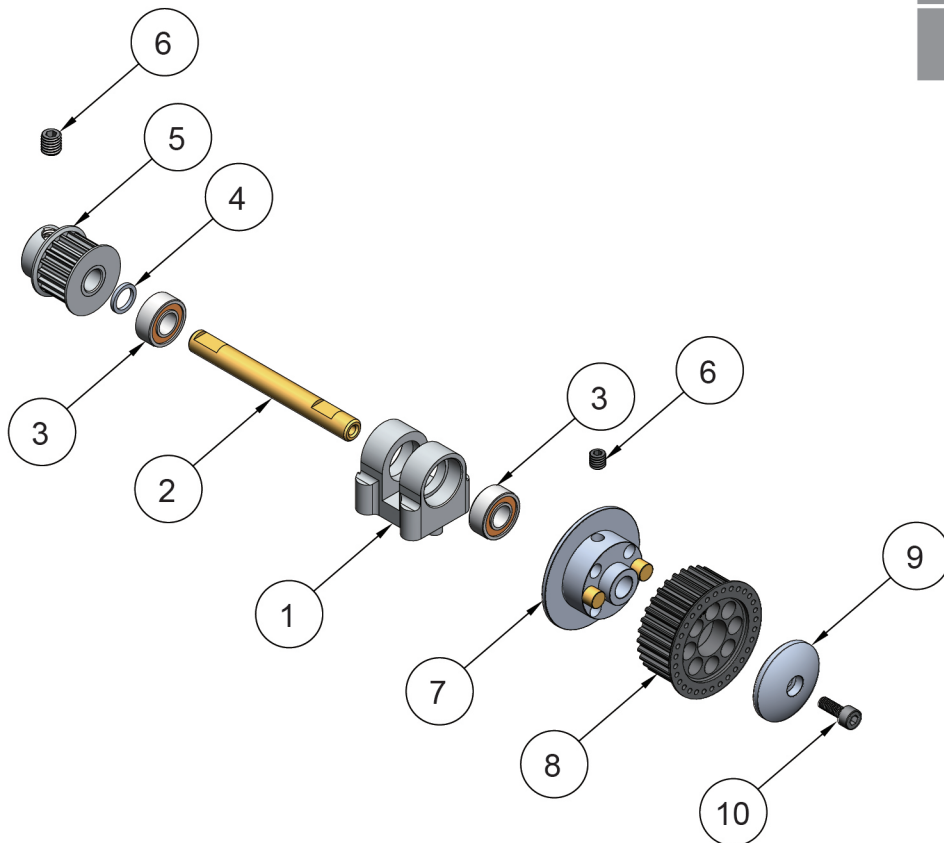


| | Item No. |
|----|-----------|
| 1 | BMT.0603 |
| 2 | BMT.0805 |
| 3 | BMT.0804 |
| 4 | PA0073 |
| 5 | PA0074 |
| 6 | PA0077 |
| 7 | PA0076 |
| 8 | PA0078 |
| 9 | BMT.0252 |
| 10 | PA0083 |
| 11 | PA0082 |
| 12 | PA0080 |
| 13 | PA0079 |
| 14 | PA0081-56 |
| 15 | BMT.0164 |
| 16 | PA0084 |
| 17 | PA0085-60 |
| 18 | BMT.0620 |

Bag F

Bag X

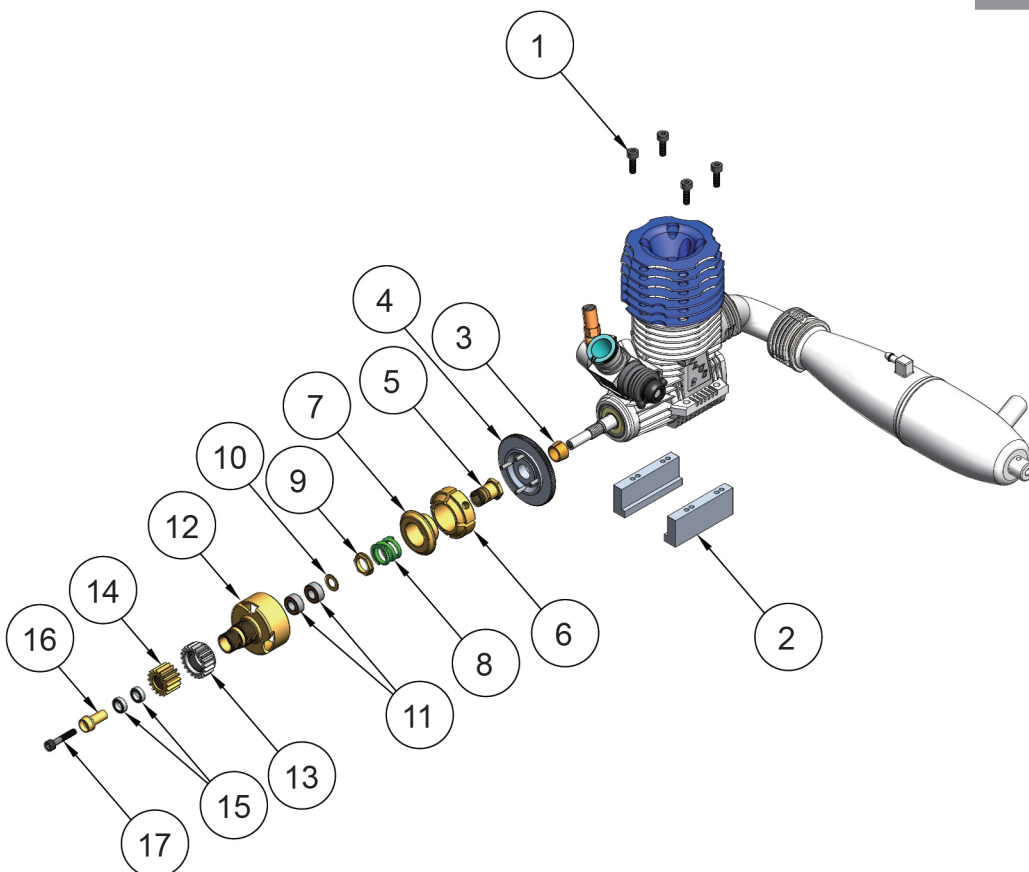
13



| | Item No. |
|----|----------|
| 1 | BMT.1034 |
| 2 | BMT.1031 |
| 3 | BMT.0034 |
| 4 | BMT.1039 |
| 5 | BMT.1038 |
| 6 | BMT.0272 |
| 7 | BMT.1032 |
| 8 | BMT.1036 |
| 9 | BMT.1033 |
| 10 | BMT.0158 |

Bag G

14

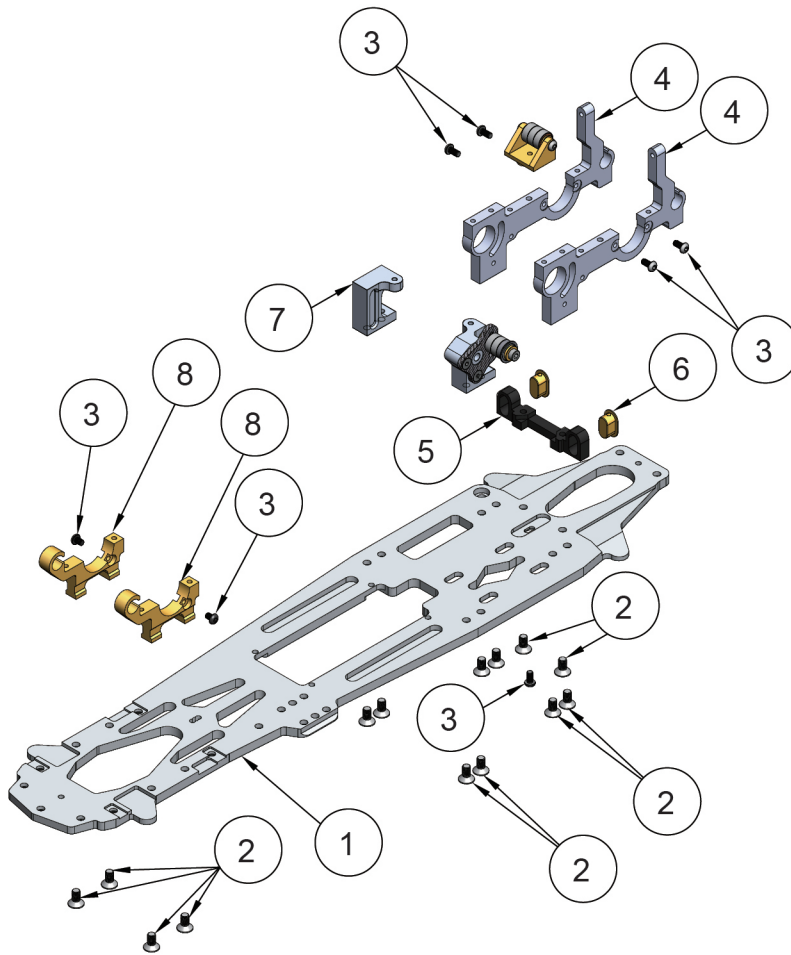


| | Item No. |
|----|--------------|
| 1 | BMT.0159 |
| 2 | BMT.0258 |
| 3 | BMT.0850 |
| 4 | BMT.0851 |
| 5 | BMT.0852 |
| 6 | BMT.0853 |
| 7 | BMT.0854 |
| 8 | BMT.PA0232-3 |
| 9 | BMT.0855 |
| 10 | PA0256 |
| 11 | BMT.0348 |
| 12 | BMT.0610 |
| 13 | PA0236-20 |
| 14 | BMT.0816 |
| 15 | PA0087 |
| 16 | BMT.0609 |
| 17 | BMT.0170 |

Bag H

Bag X

15

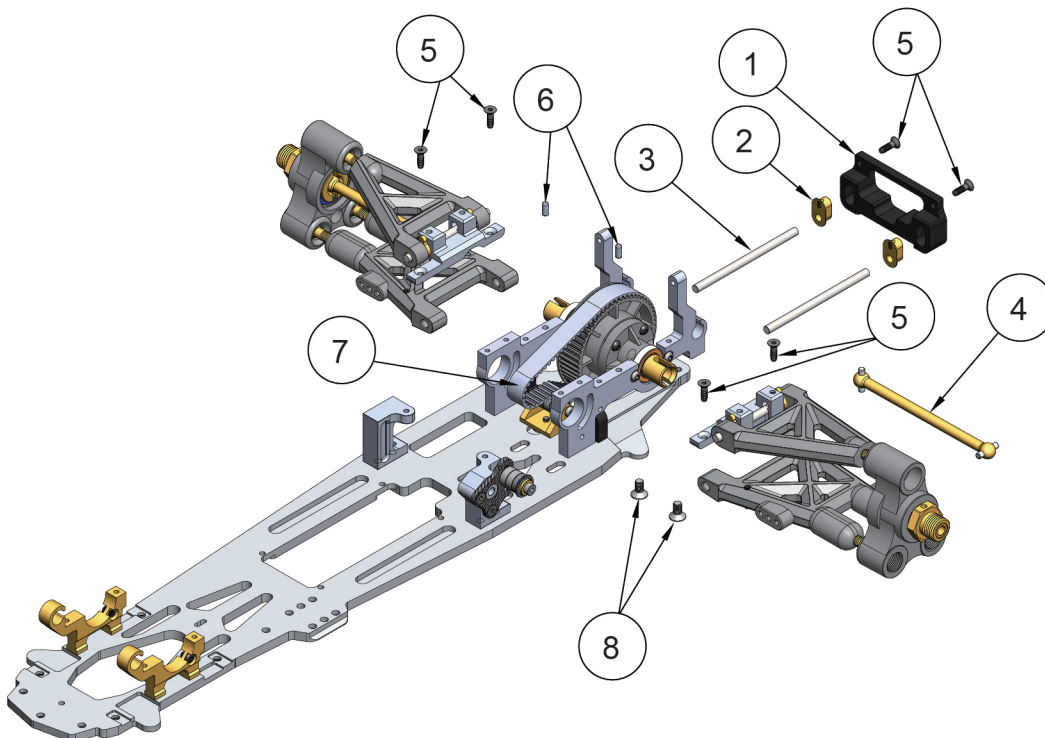


| | Item No. |
|---|----------|
| 1 | BMT.1200 |
| 2 | BMT.0372 |
| 3 | BMT.0160 |
| 4 | BMT.1210 |
| 5 | BMT.1212 |
| 6 | BMT.1081 |
| 7 | BMT.1241 |
| 8 | BMT.1220 |

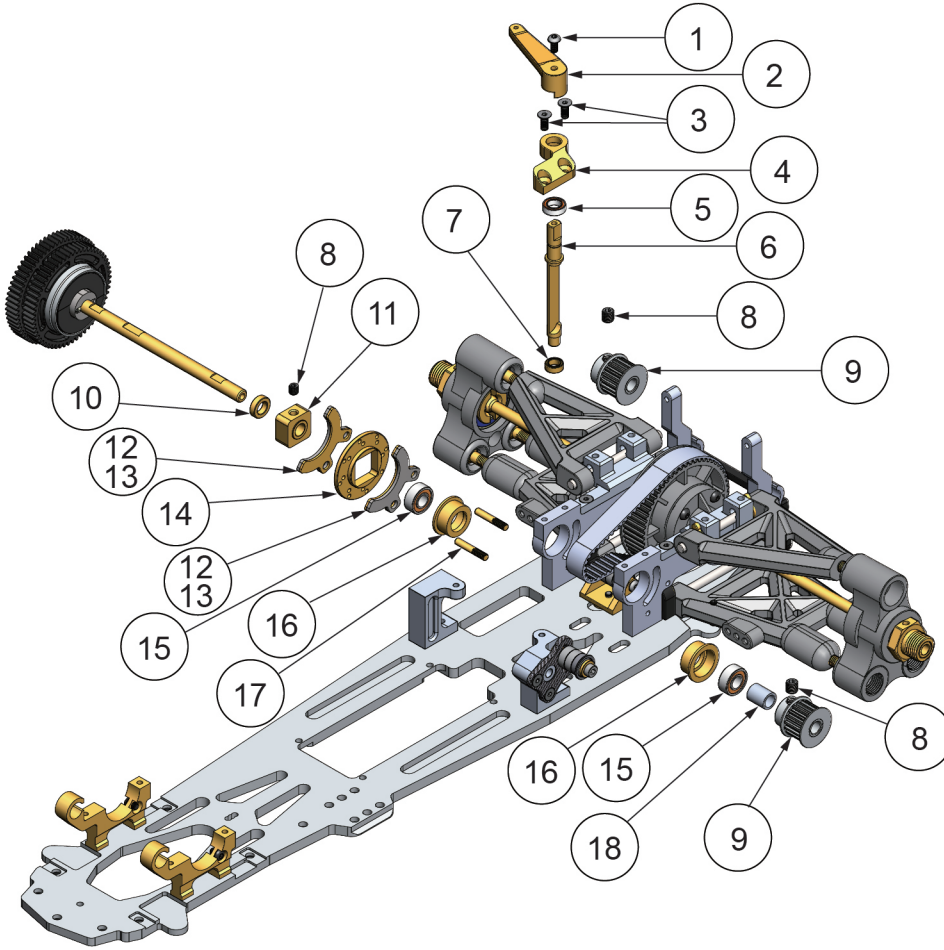
Bag H

Bag X

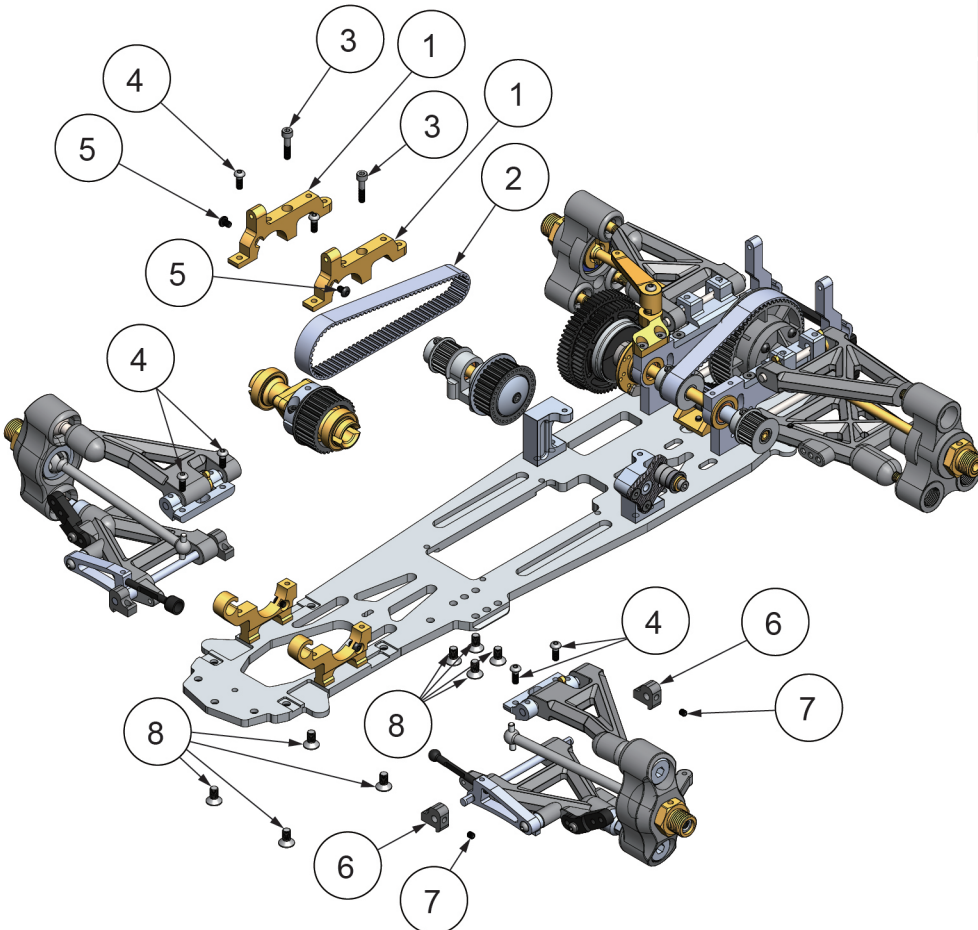
16



| | Item No. |
|---|----------|
| 1 | BMT.1213 |
| 2 | BMT.1081 |
| 3 | BMT.1218 |
| 4 | BMT.0229 |
| 5 | BMT.0165 |
| 6 | BMT.1211 |
| 7 | BMT.1056 |
| 8 | BMT.0413 |



| | Item No. |
|----|------------|
| 1 | BMT.0160 |
| 2 | BMT.0389 |
| 3 | BMT.0164 |
| 4 | BMT.1214 |
| 5 | BMT.0035 |
| 6 | BMT.1215 |
| 7 | PA0087 |
| 8 | BMT.0272 |
| 9 | BMT.1038 |
| 10 | BMT.1039 |
| 11 | BMT.1097 |
| 12 | BMT.0202-1 |
| 13 | BMT.0202-1 |
| 14 | BMT.0182 |
| 15 | BMT.0035 |
| 16 | BMT.1073 |
| 17 | BMT.1216 |
| 18 | BMT.0417-1 |

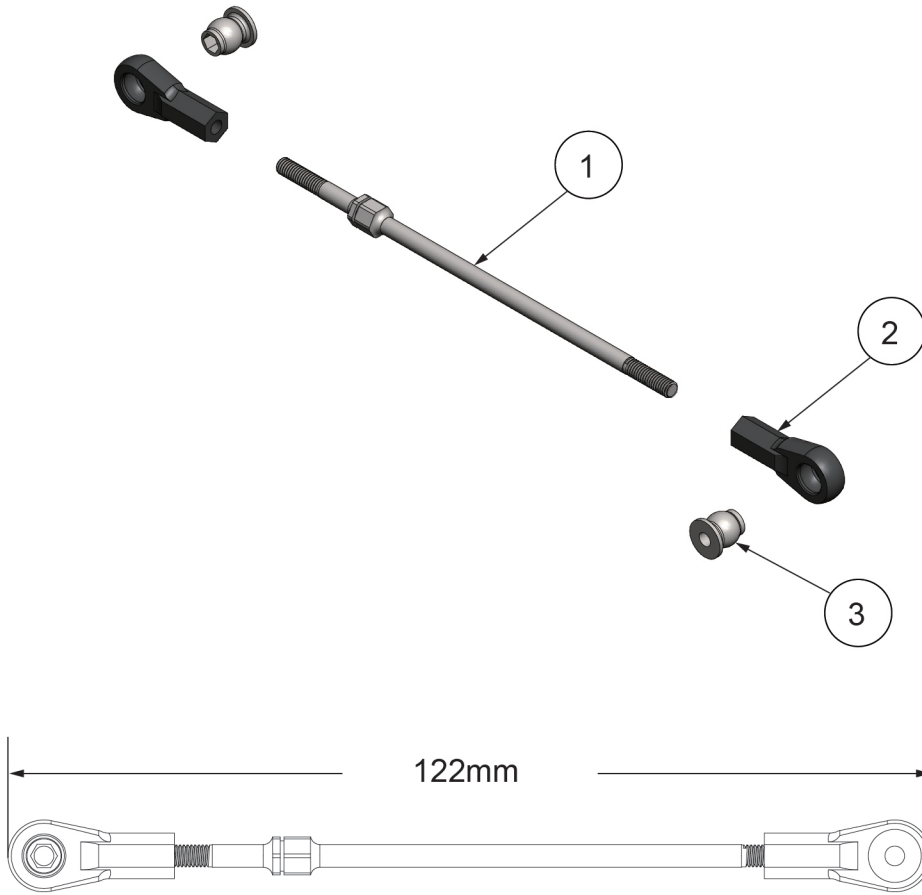


| | Item No. |
|---|----------|
| 1 | BMT.1221 |
| 2 | BMT.1055 |
| 3 | BMT.0173 |
| 4 | BMT.0169 |
| 5 | BMT.0160 |
| 6 | BMT.1222 |
| 7 | BMT.0252 |
| 8 | BMT.0413 |

Bag I

Bag X

19

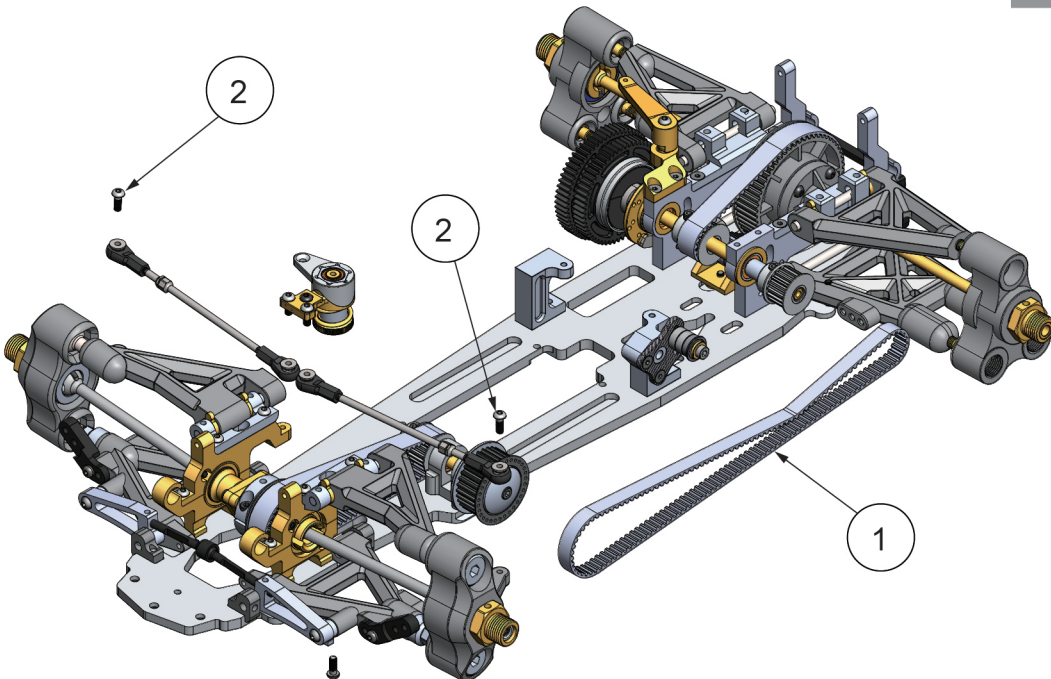


| | Item No. |
|---|----------|
| 1 | BMT.0130 |
| 2 | BMT.0111 |
| 3 | BMT.1100 |

Bag I

Bag X

20

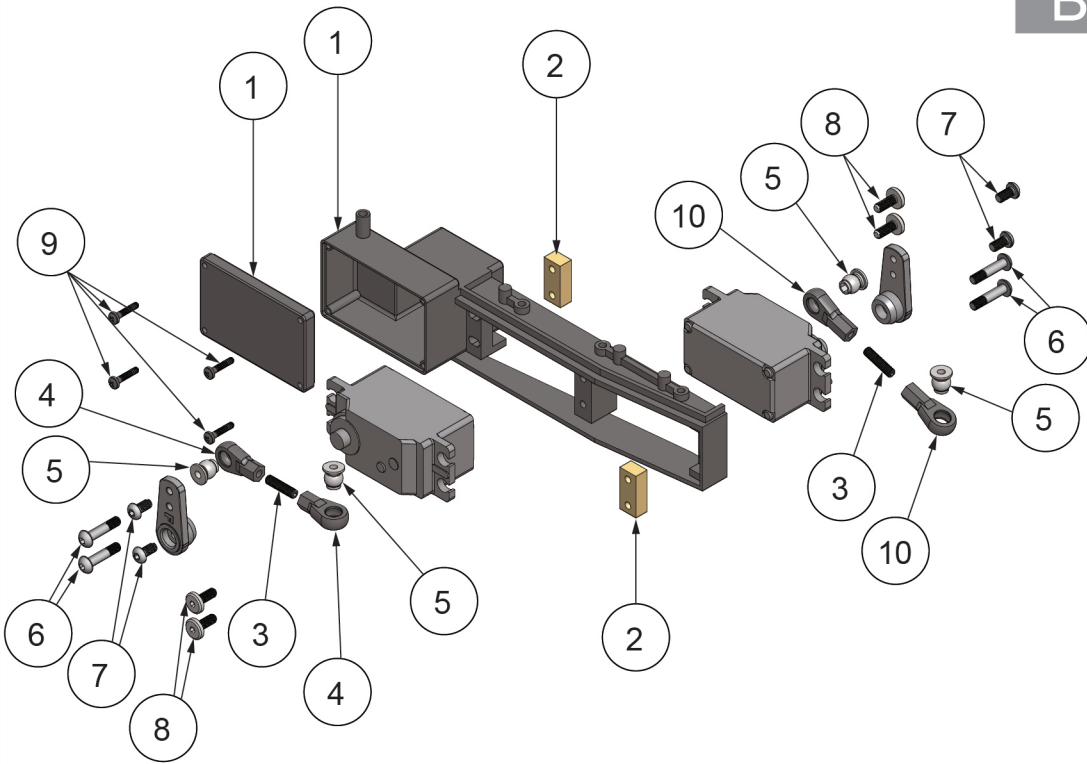


| | Item No. |
|---|----------|
| 1 | BMT.1057 |
| 2 | BMT.0169 |

Bag J

Bag X

21

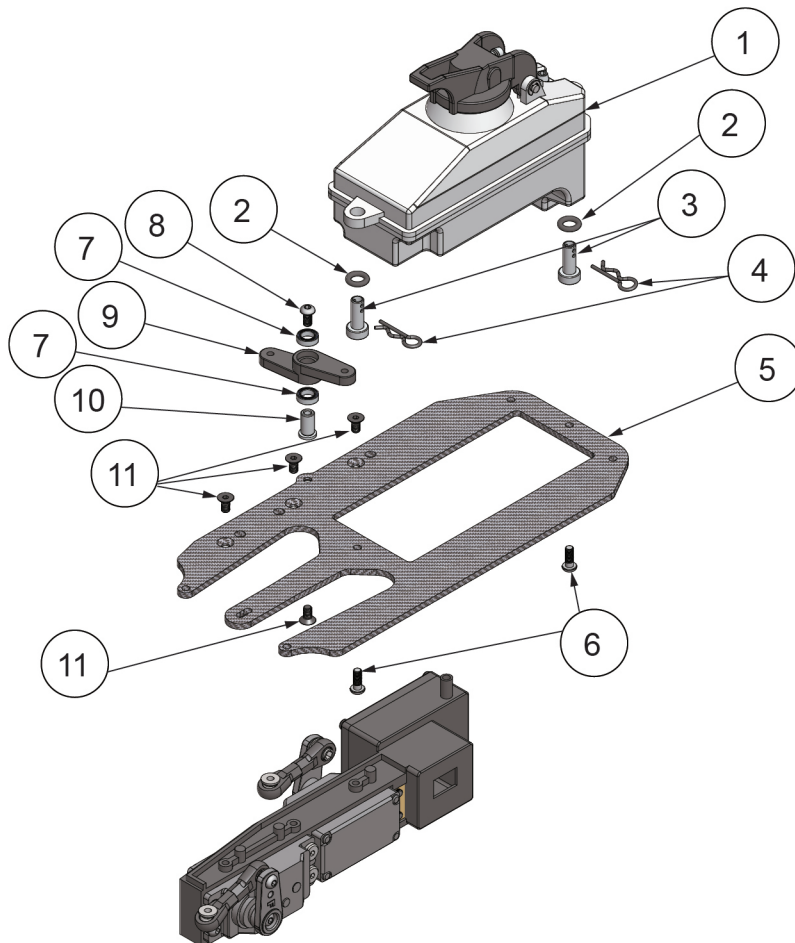


| | Item No. |
|----|-----------|
| 1 | PA0210 |
| 2 | PA0210-1 |
| 3 | BMT. 0255 |
| 4 | PA0042 |
| 5 | BMT.1100 |
| 6 | BMT.0156 |
| 7 | BMT.0171 |
| 8 | PA7170 |
| 9 | PA0211 |
| 10 | BMT.0111 |

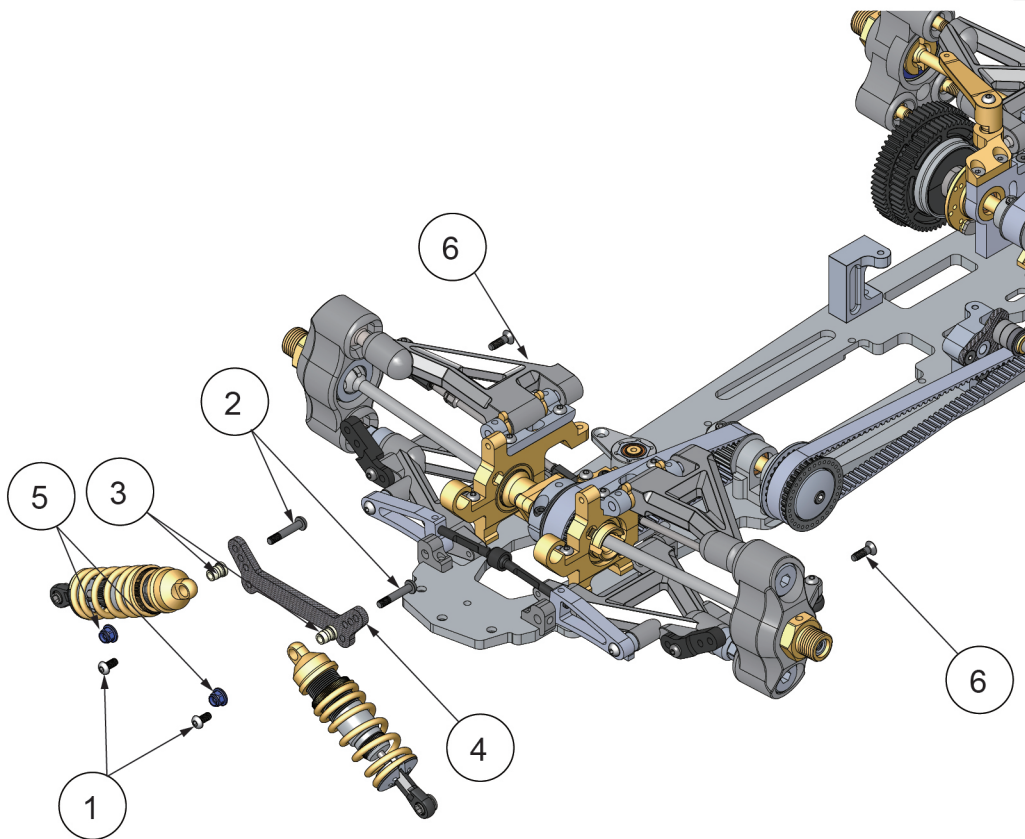
Bag J

Bag X

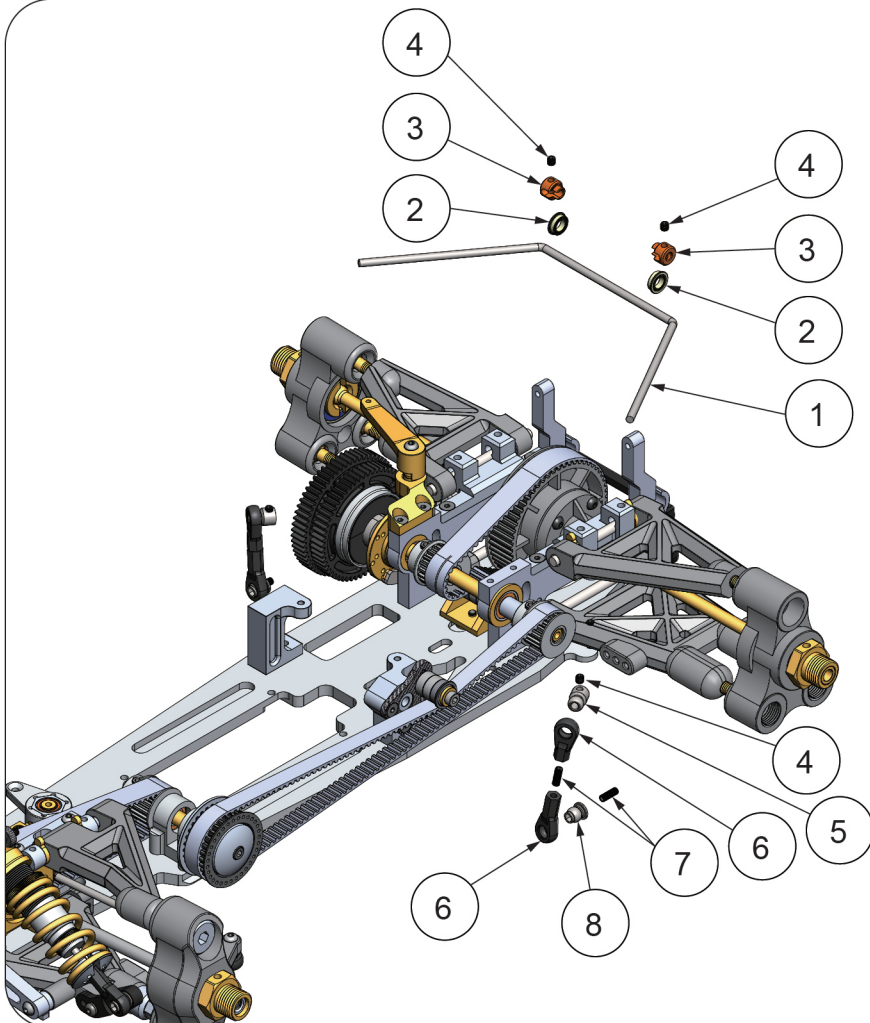
22



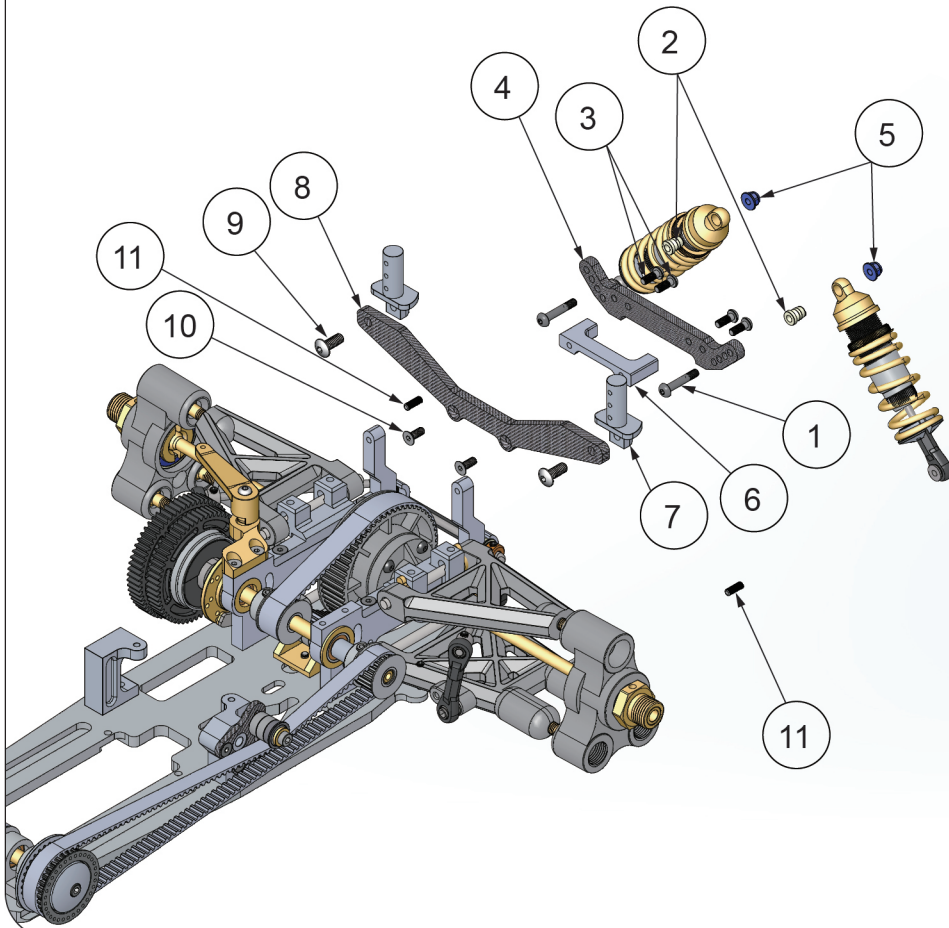
| | Item No. |
|----|----------|
| 1 | BMT.1051 |
| 2 | PA0206 |
| 3 | PA0205 |
| 4 | PA0207 |
| 5 | BMT.1243 |
| 6 | BMT.0169 |
| 7 | PA0087 |
| 8 | BMT.0171 |
| 9 | PA0216-1 |
| 10 | PA0209 |
| 11 | BMT.0155 |



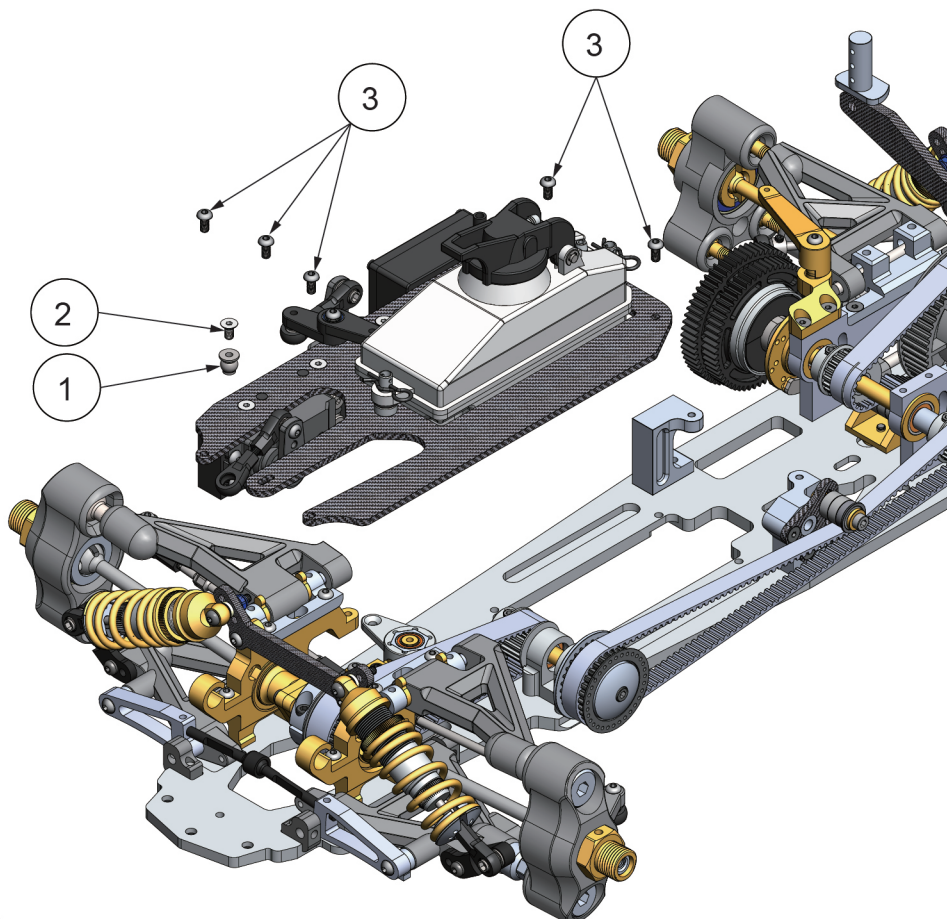
| | Item No. |
|---|----------|
| 1 | BMT.0171 |
| 2 | BMT.0156 |
| 3 | BMT.0467 |
| 4 | BMT.1235 |
| 5 | BMT.0040 |
| 6 | BMT.0165 |



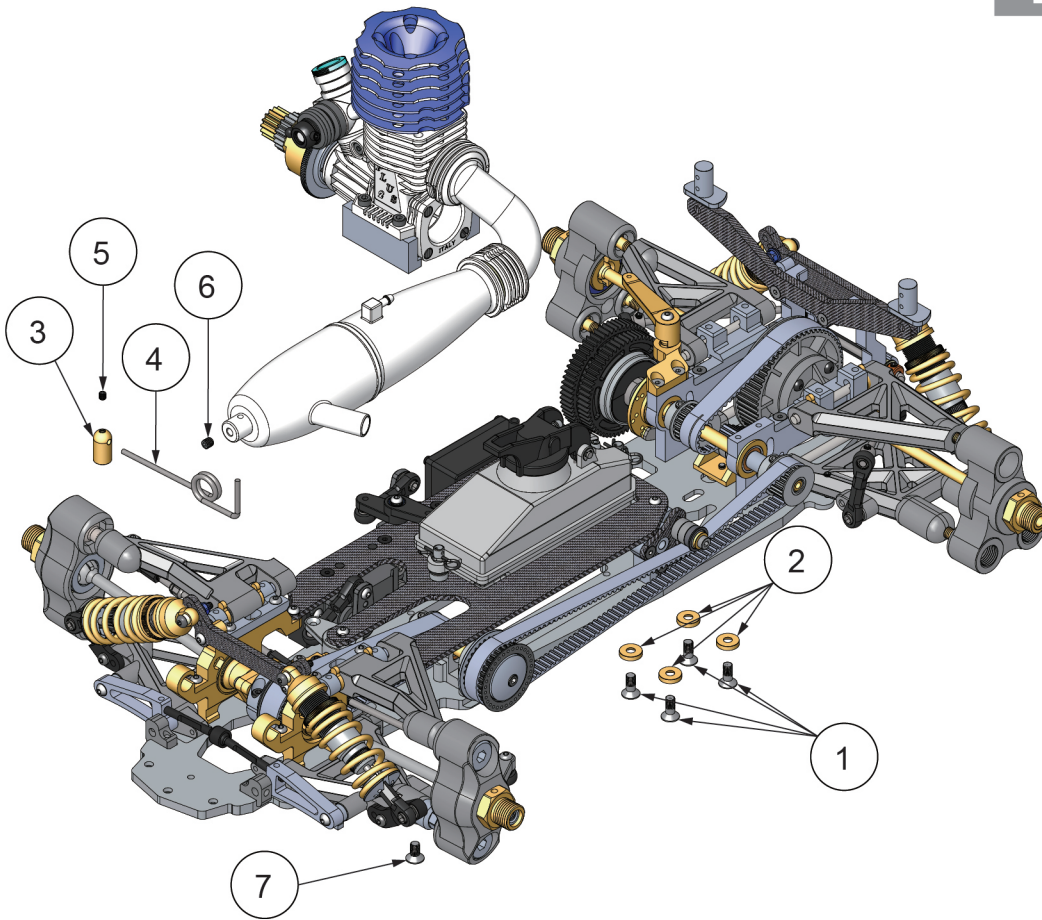
| | Item No. |
|---|----------|
| 1 | BMT.1087 |
| 2 | BMT.1077 |
| 3 | BMT.1085 |
| 4 | BMT.0252 |
| 5 | BMT.1089 |
| 6 | PA0137 |
| 7 | BMT.0255 |
| 8 | BMT.1100 |



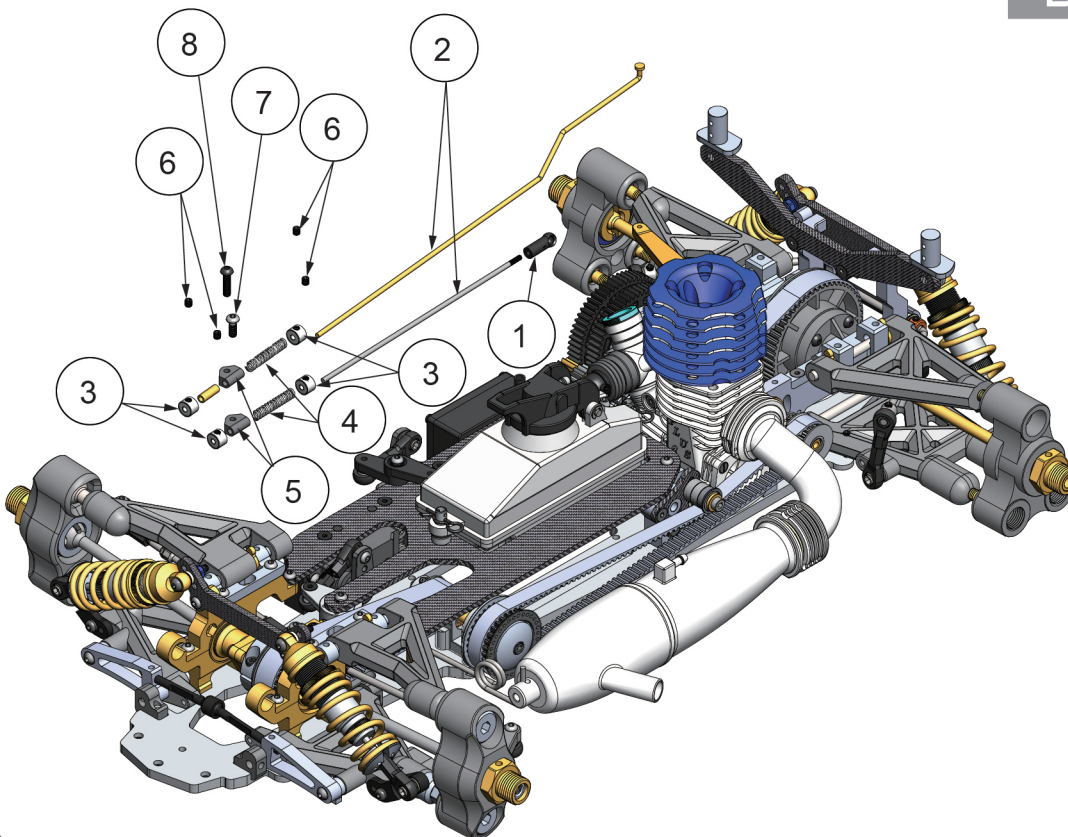
| | Item No. |
|----|----------|
| 1 | BMT.0156 |
| 2 | BMT.0467 |
| 3 | BMT.0171 |
| 4 | BMT.1217 |
| 5 | BMT.0040 |
| 6 | BMT.1219 |
| 7 | BMT.1207 |
| 8 | BMT.1208 |
| 9 | BMT.0172 |
| 10 | BMT.0165 |
| 11 | BMT.0255 |



| | Item No. |
|---|----------|
| 1 | BMT.1100 |
| 2 | BMT.0155 |
| 3 | BMT.0171 |



| | Item No. |
|---|----------|
| 1 | BMT.0262 |
| 2 | BMT.0378 |
| 3 | BMT.0364 |
| 4 | PA0221 |
| 5 | BMT.0252 |
| 6 | BMT.0272 |
| 7 | BMT.0372 |

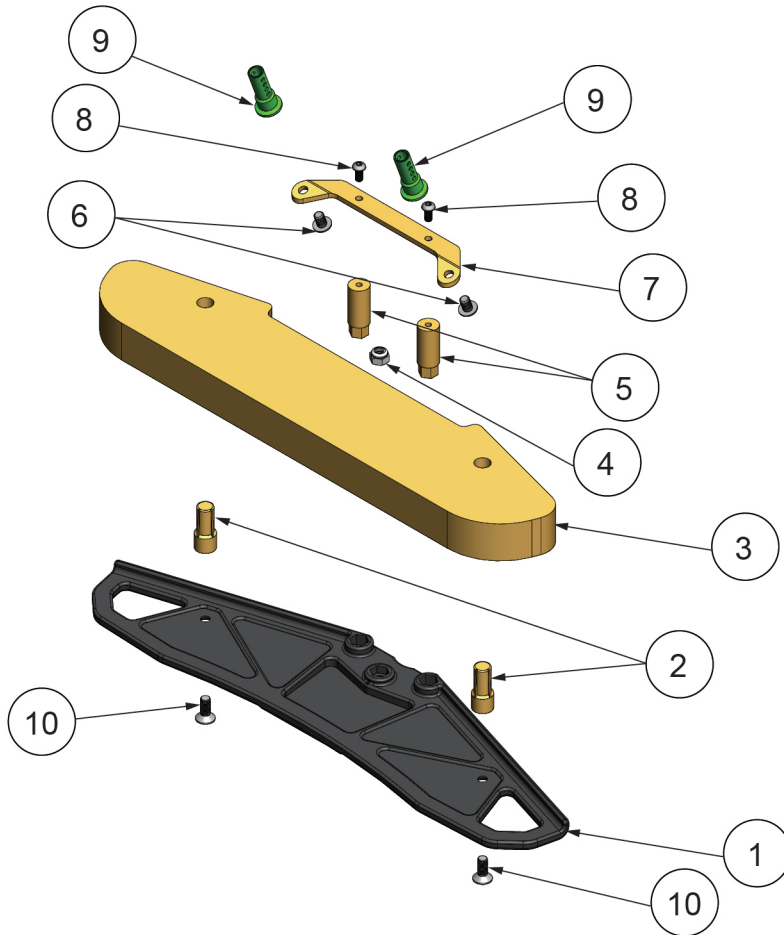


| | Item No. |
|---|----------|
| 1 | BMT.0110 |
| 2 | PA0217 |
| 3 | PA0218 |
| 4 | PA0219 |
| 5 | PA0216-2 |
| 6 | BMT.0252 |
| 7 | BMT.0169 |
| 8 | BMT.0156 |

Bag L

Bag X

29

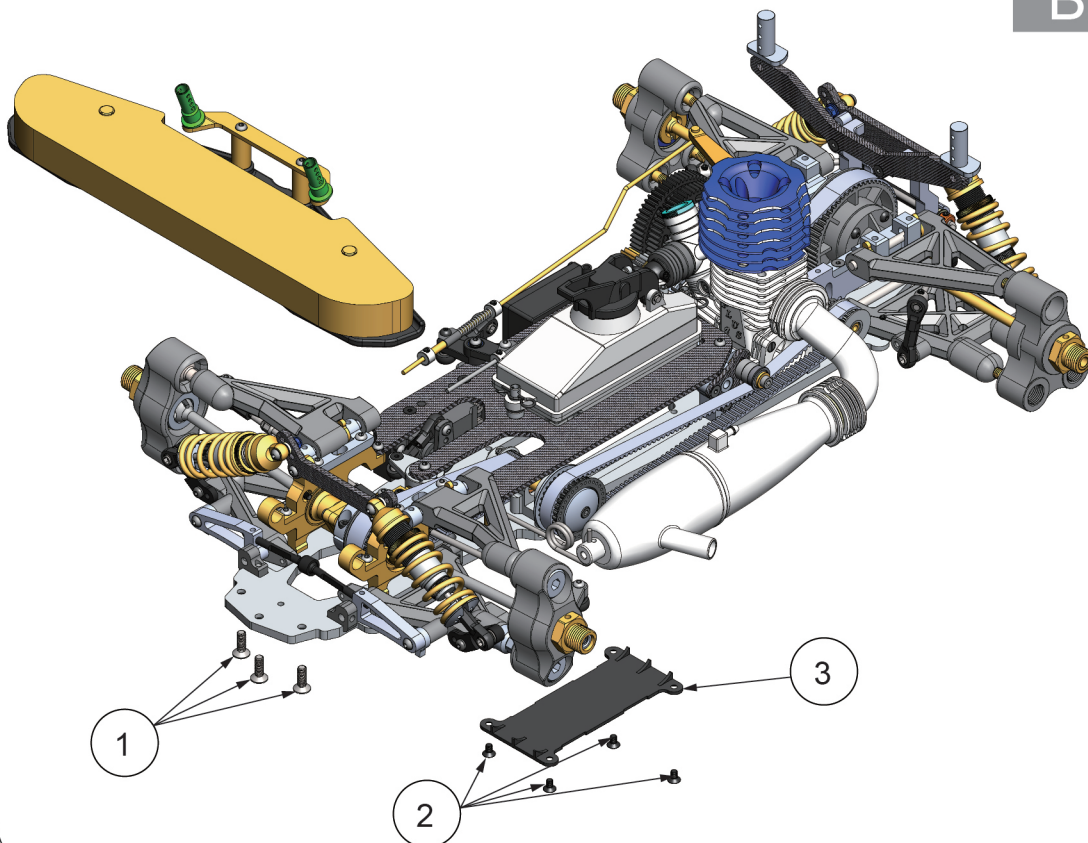


| | Item No. |
|----|------------|
| 1 | PA0198 |
| 2 | BMT.0025-1 |
| 3 | BMT.1250 |
| 4 | BMT.0189 |
| 5 | BMT.1251 |
| 6 | BMT.0161 |
| 7 | BMT.1252 |
| 8 | BMT.0171 |
| 9 | BMT.1255 |
| 10 | BMT 0262 |

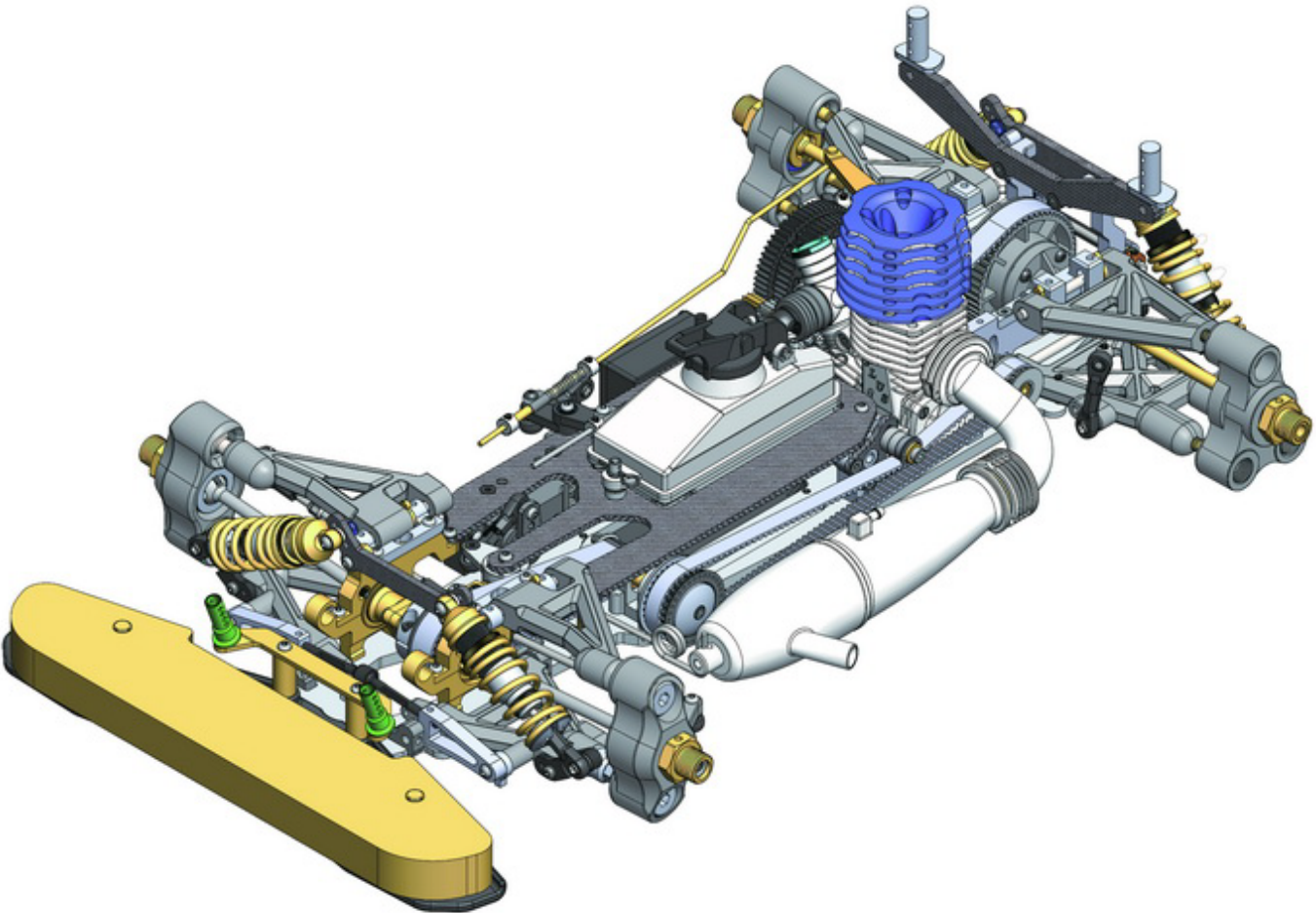
Bag L

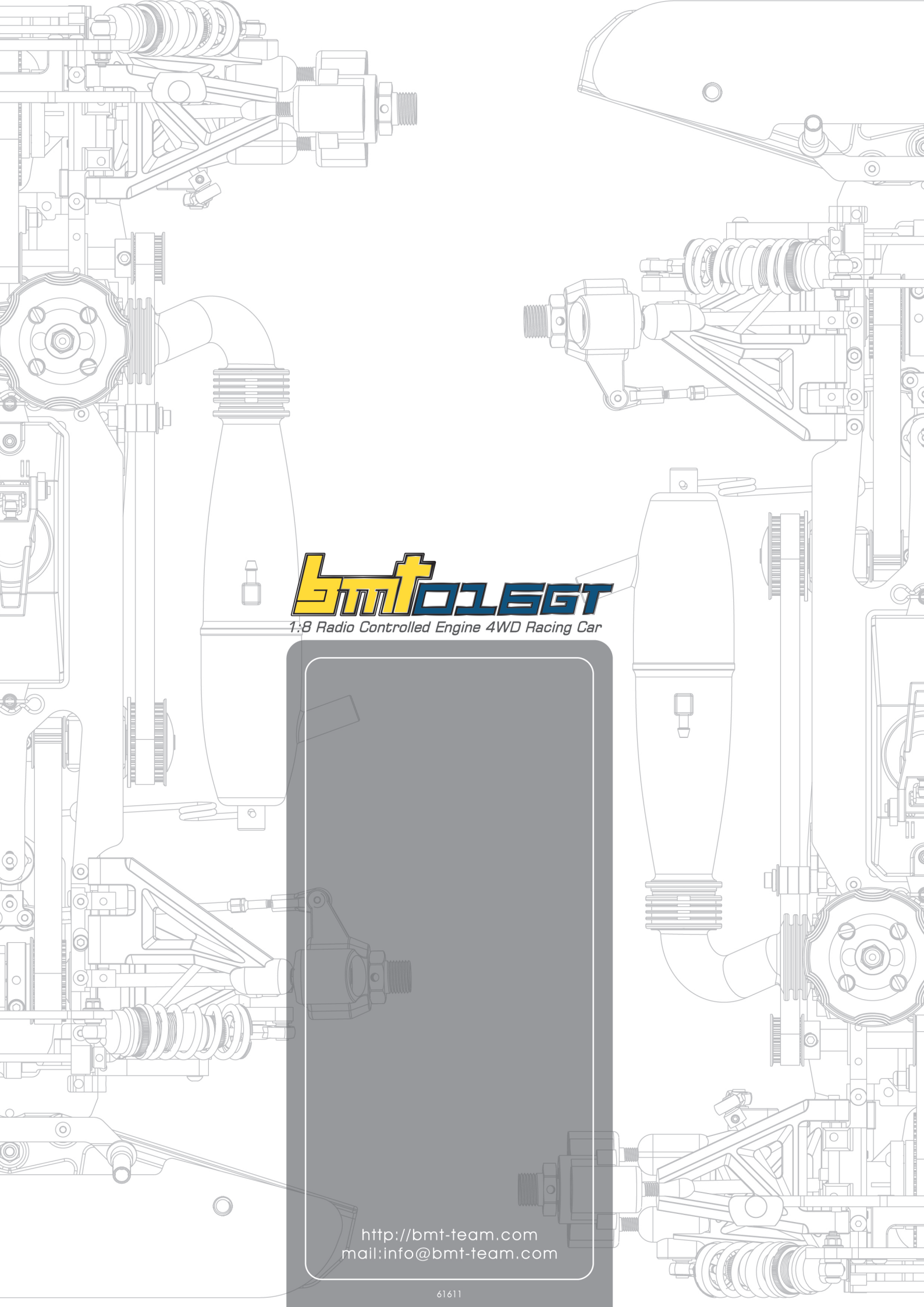
Bag X

30



| | Item No. |
|---|----------|
| 1 | BMT.0262 |
| 2 | BMT.0155 |
| 3 | BMT.1045 |





bmt 01EGT

1:8 Radio Controlled Engine 4WD Racing Car

<http://bmt-team.com>
mail:info@bmt-team.com