

SMT984

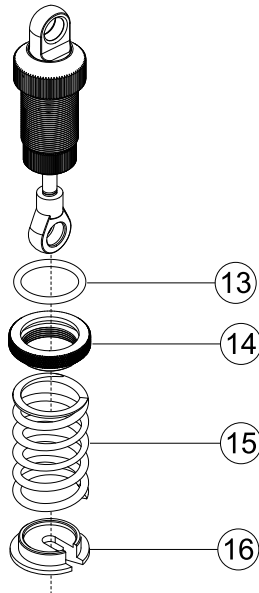
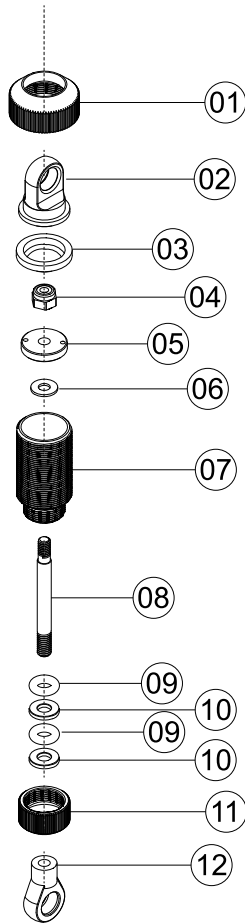
ENGINE POWERED 4WD RACING CAR
1:8 Scale Radio Controlled Engine 4WD Racing Car

Instruction Manual

Bag A

Bag X

01

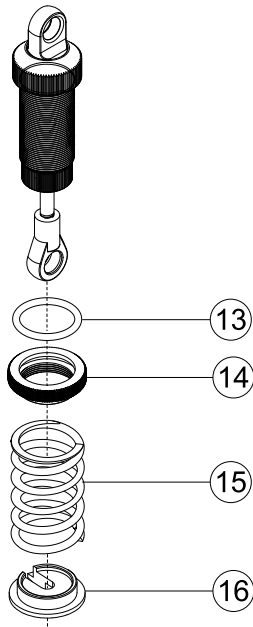
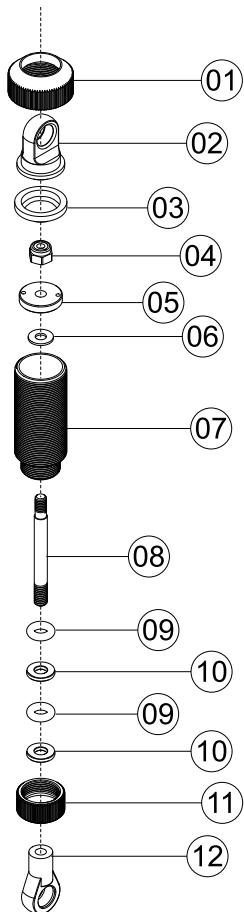


| | Item No. |
|----|----------|
| 1 | PA0031 |
| 2 | PA0032 |
| 3 | PA0033 |
| 4 | PA0034 |
| 5 | PA0035 |
| 6 | PA0036 |
| 7 | PA0037 |
| 8 | PA0038 |
| 9 | PA0039 |
| 10 | PA0040 |
| 11 | PA0041 |
| 12 | PA0042 |
| 13 | PA0043 |
| 14 | PA0044 |
| 15 | PA0045 |
| 16 | PA0046 |

Bag A

Bag X

02

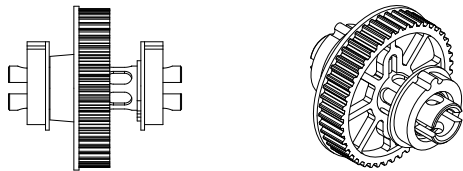
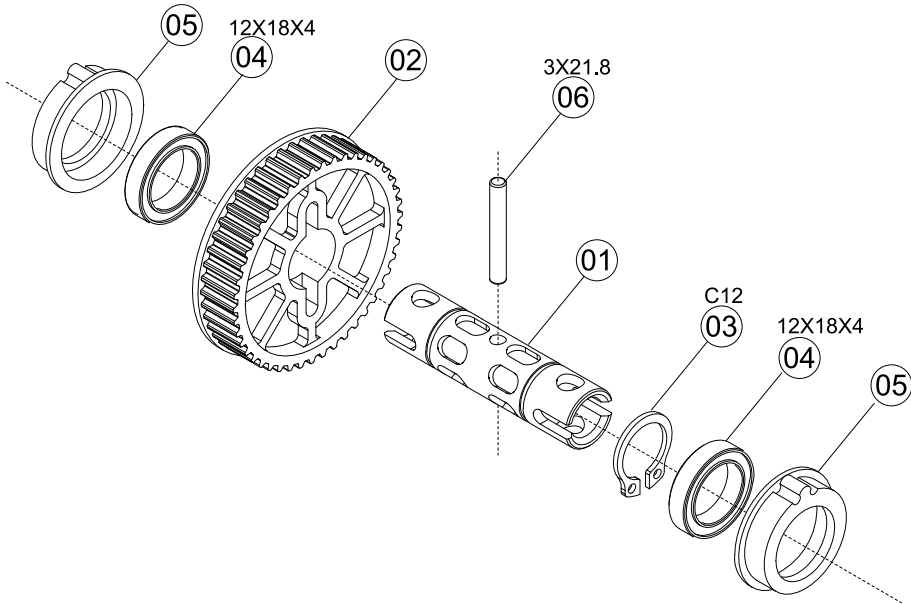


| | Item No. |
|----|----------|
| 1 | PA0031 |
| 2 | PA0032 |
| 3 | PA0033 |
| 4 | PA0034 |
| 5 | PA0035 |
| 6 | PA0036 |
| 7 | PA0047 |
| 8 | PA0038 |
| 9 | PA0039 |
| 10 | PA0040 |
| 11 | PA0041 |
| 12 | PA0042 |
| 13 | PA0043 |
| 14 | PA0044 |
| 15 | PA0049 |
| 16 | PA0046 |

Bag B

Bag X

03

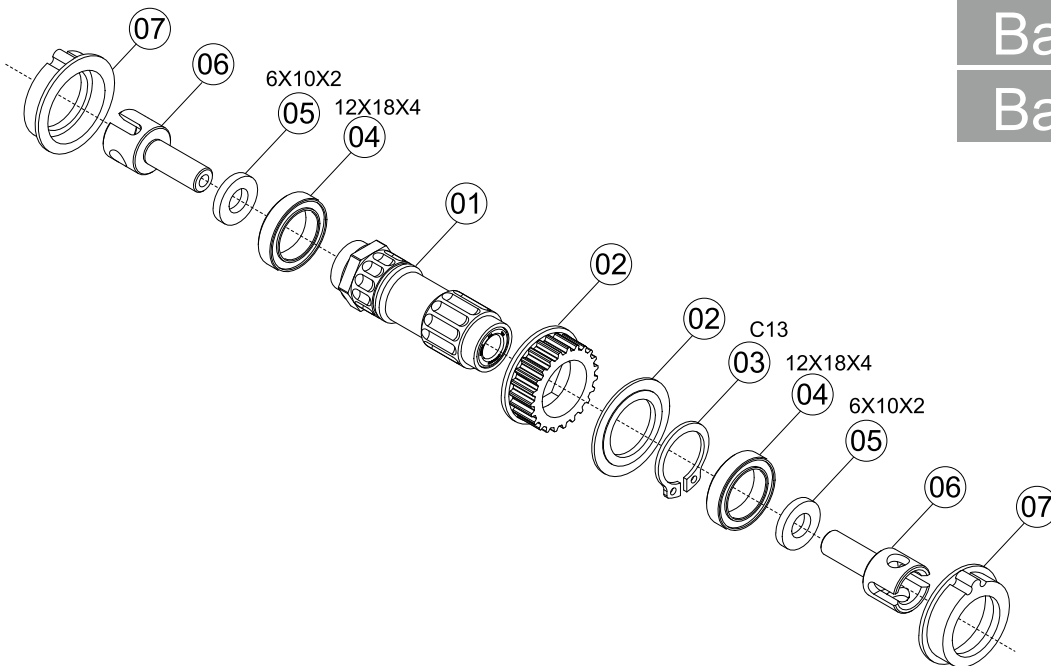


| | Item No. |
|---|----------|
| 1 | PA0050 |
| 2 | PA0051 |
| 3 | PA0052 |
| 4 | PA0053 |
| 5 | PA0054 |
| 6 | PA0055 |

Bag B

Bag X

04

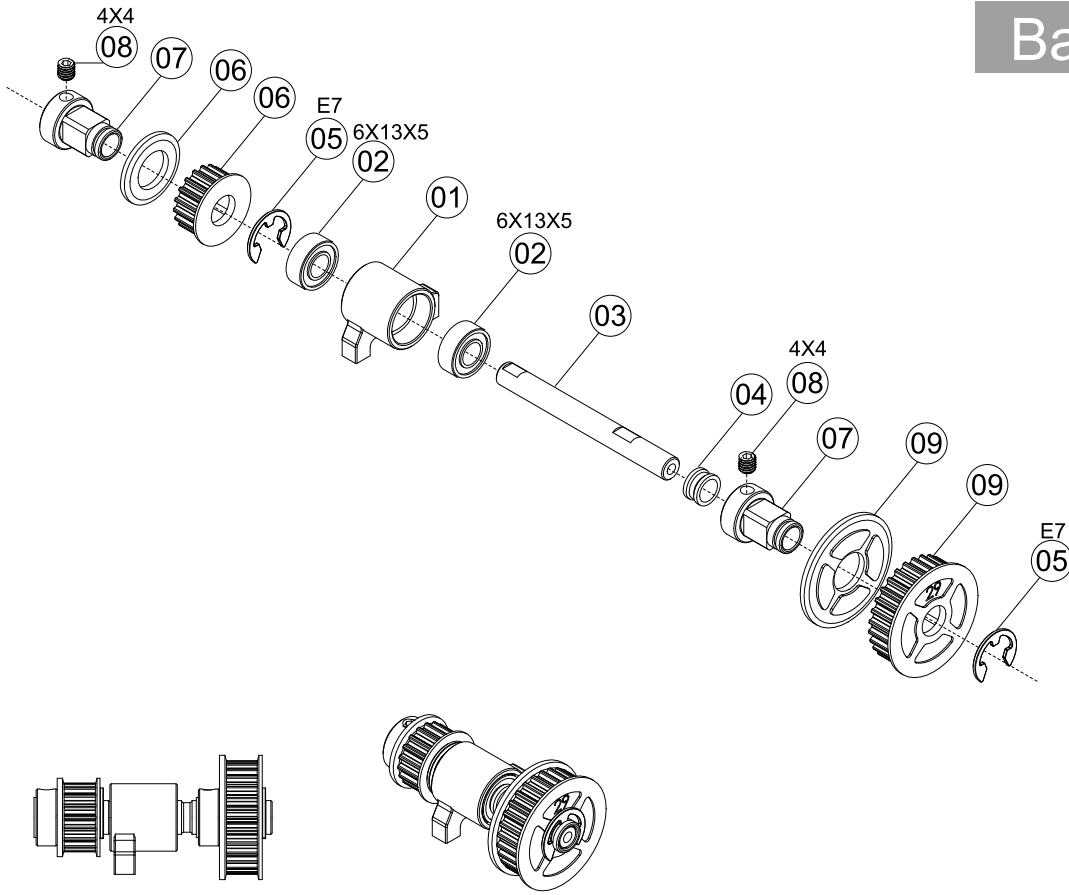


| | Item No. |
|---|----------|
| 1 | PA0056 |
| 2 | PA0057 |
| 3 | PA0058 |
| 4 | PA0053 |
| 5 | PA0059 |
| 6 | PA0060 |
| 7 | PA0054 |

Bag C

Bag X

05

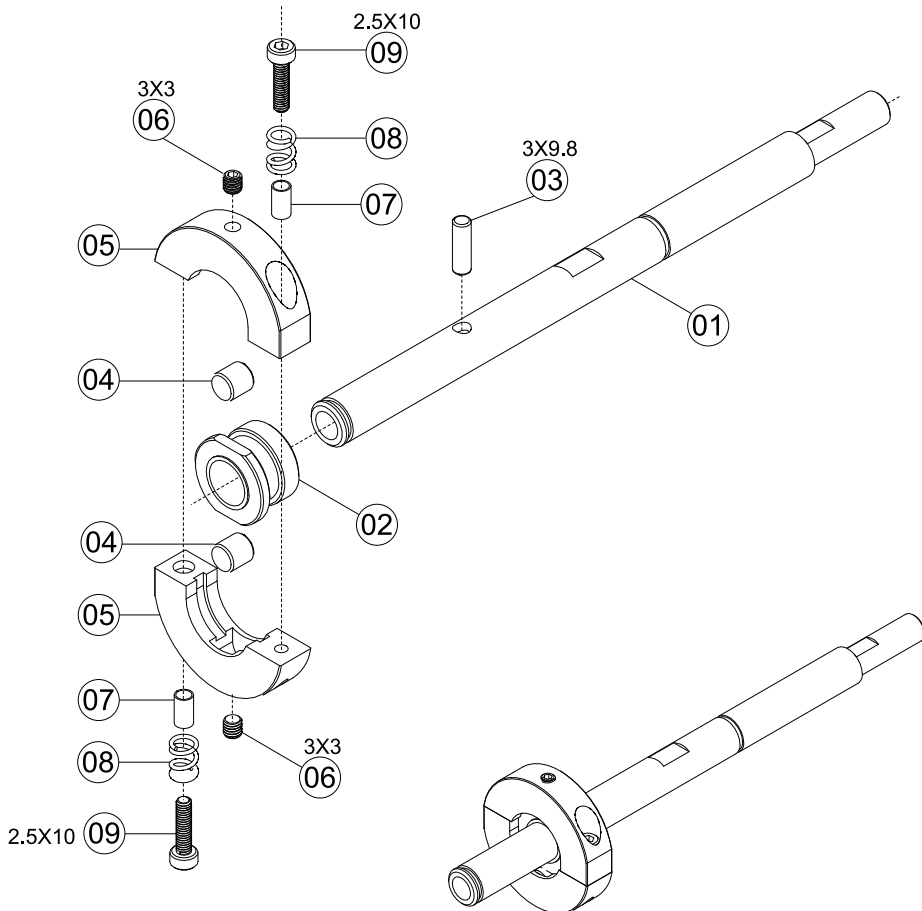


| | Item No. |
|---|----------|
| 1 | PA0061 |
| 2 | PA0062 |
| 3 | PA0063 |
| 4 | PA0064 |
| 5 | PA0065 |
| 6 | PA0066 |
| 7 | PA0067 |
| 8 | PA0068 |
| 9 | PA0069 |

Bag C

Bag X

06

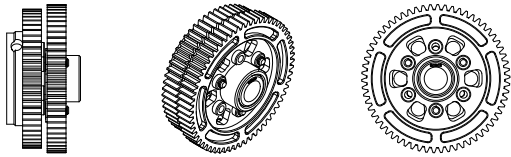
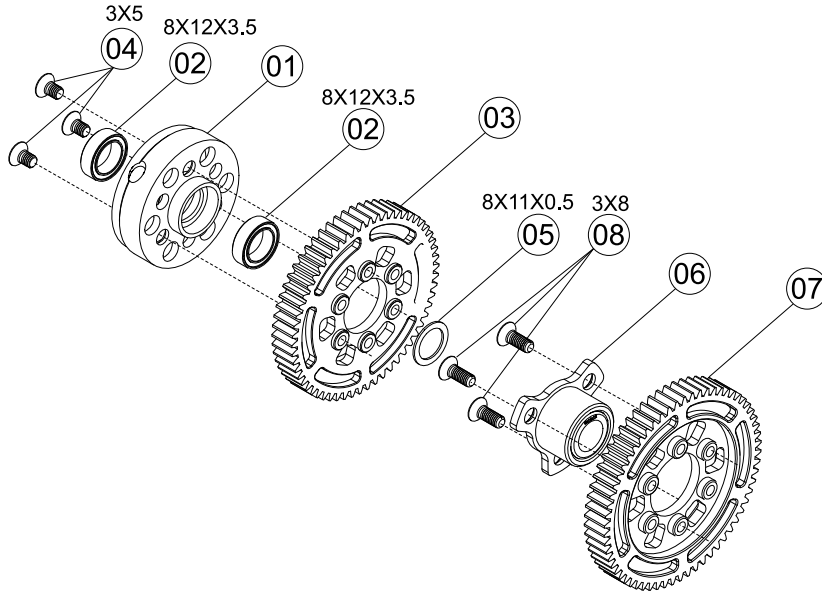


| | Item No. |
|---|----------|
| 1 | PA0070 |
| 2 | PA0071 |
| 3 | PA0072 |
| 4 | PA0073 |
| 5 | PA0074 |
| 6 | PA0075 |
| 7 | PA0076 |
| 8 | PA0077 |
| 9 | PA0078 |

Bag C

07

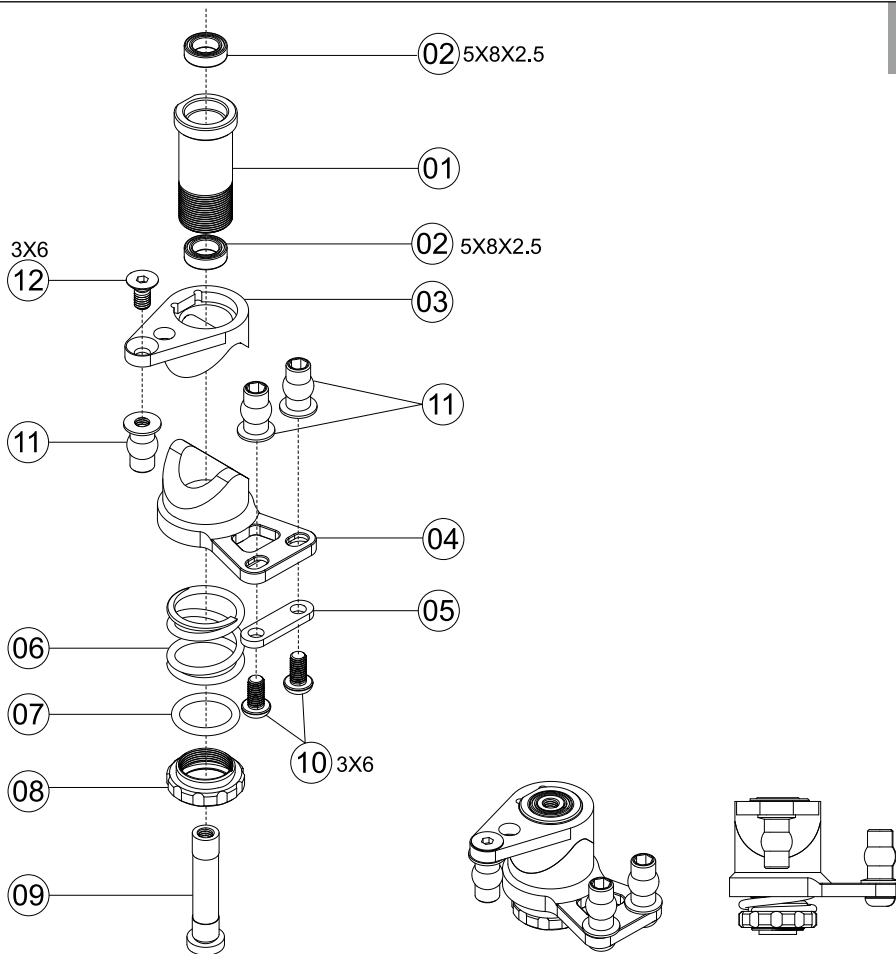
Bag X



| | Item No. |
|---|----------|
| 1 | PA0079 |
| 2 | PA0080 |
| 3 | PA0081 |
| 4 | PA0082 |
| 5 | PA0083 |
| 6 | PA0084 |
| 7 | PA0085 |
| 8 | PA0086 |

Bag D

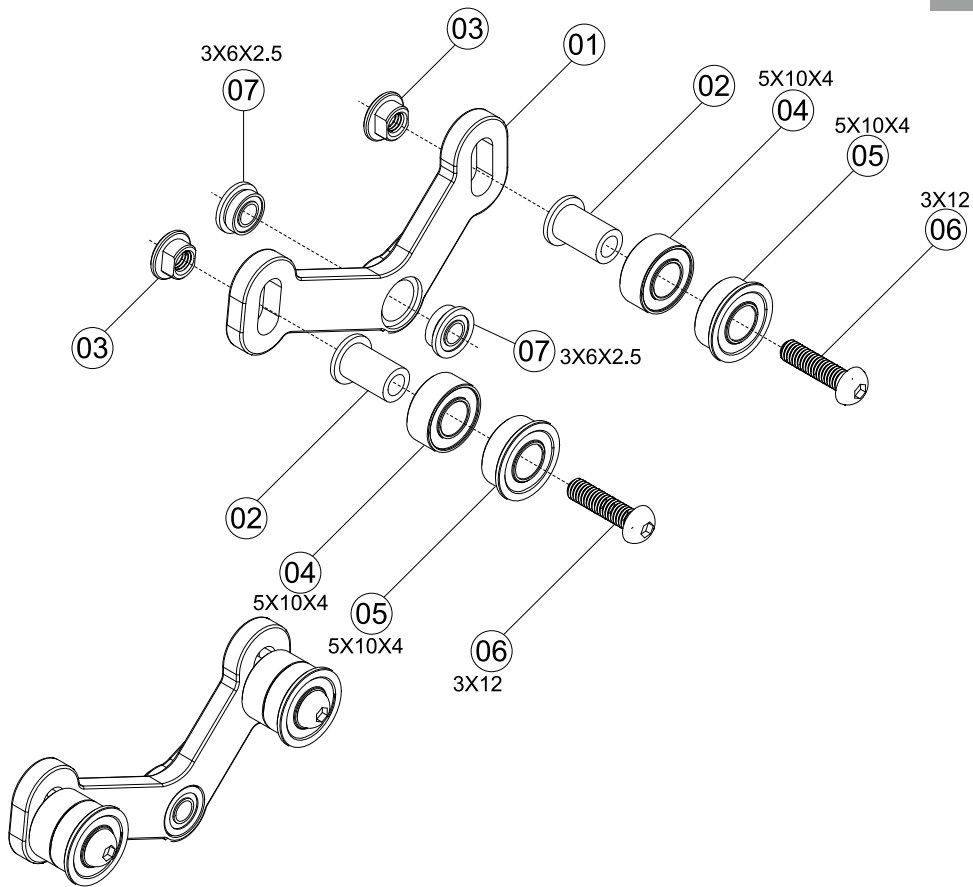
08



| | Item No. |
|----|----------|
| 1 | PA0048 |
| 2 | PA0087 |
| 3 | PA0088 |
| 4 | PA0089 |
| 5 | PA0090 |
| 6 | PA0091 |
| 7 | PA0092 |
| 8 | PA0093 |
| 9 | PA0094 |
| 10 | PA0095 |
| 11 | PA0030 |
| 12 | PA0096 |

Bag D

09

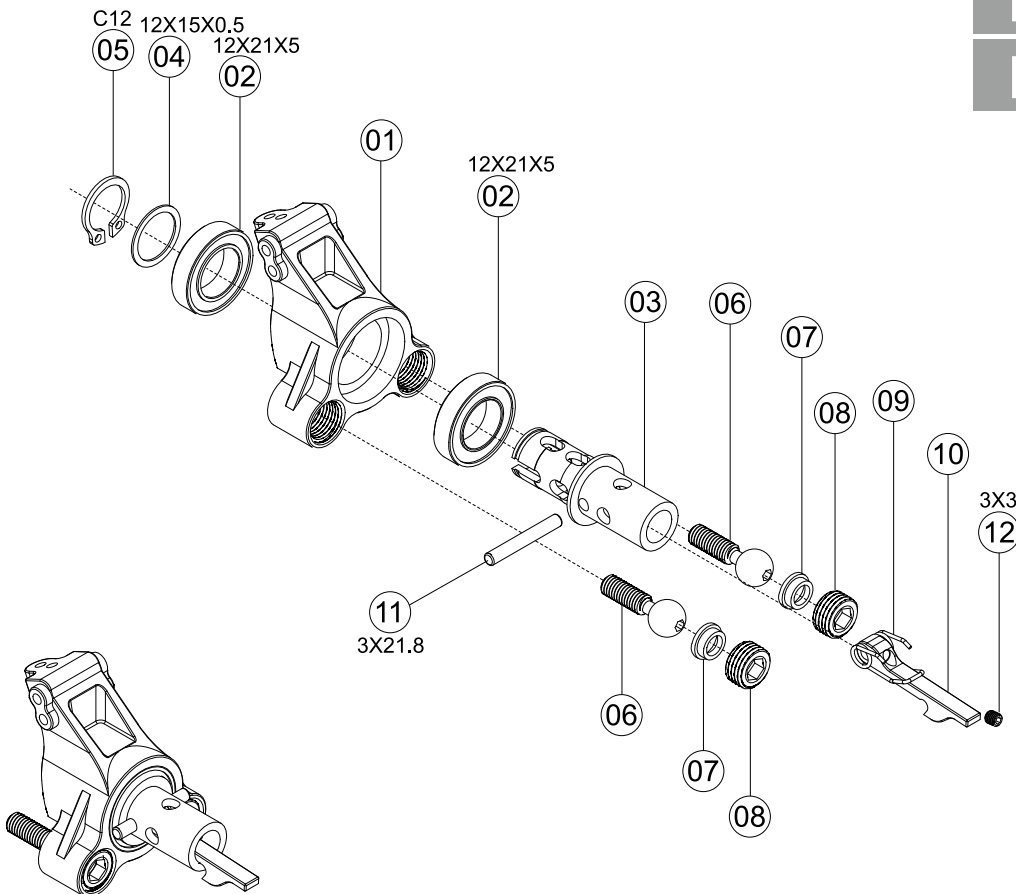


| | Item No. |
|---|----------|
| 1 | PA0097 |
| 2 | PA0098 |
| 3 | PA0099 |
| 4 | PA0100 |
| 5 | PA0101 |
| 6 | PA0102 |
| 7 | PA0103 |

Bag E

Bag X

10

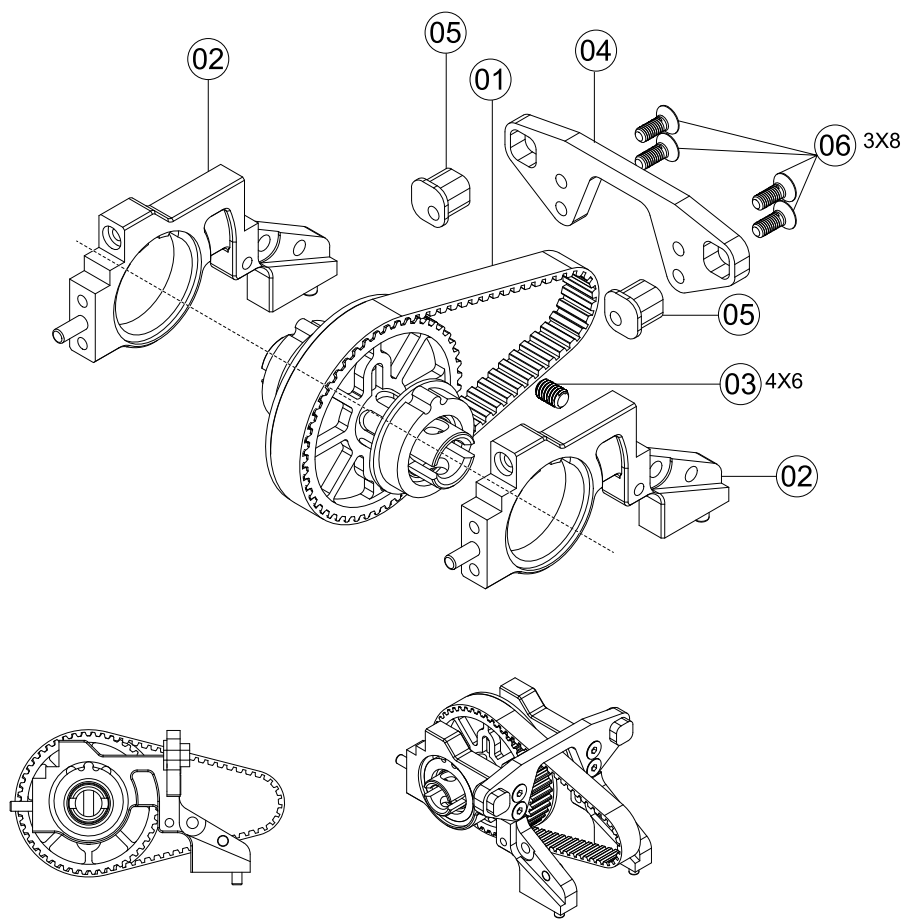


| | Item No. |
|----|----------|
| 1 | PA0104 |
| 2 | PA0105 |
| 3 | PA0106 |
| 4 | PA0107 |
| 5 | PA0052 |
| 6 | PA0108 |
| 7 | PA0109 |
| 8 | PA0110 |
| 9 | PA0111 |
| 10 | PA0112 |
| 11 | PA0055 |
| 12 | PA0075 |

Bag E

Bag X

11

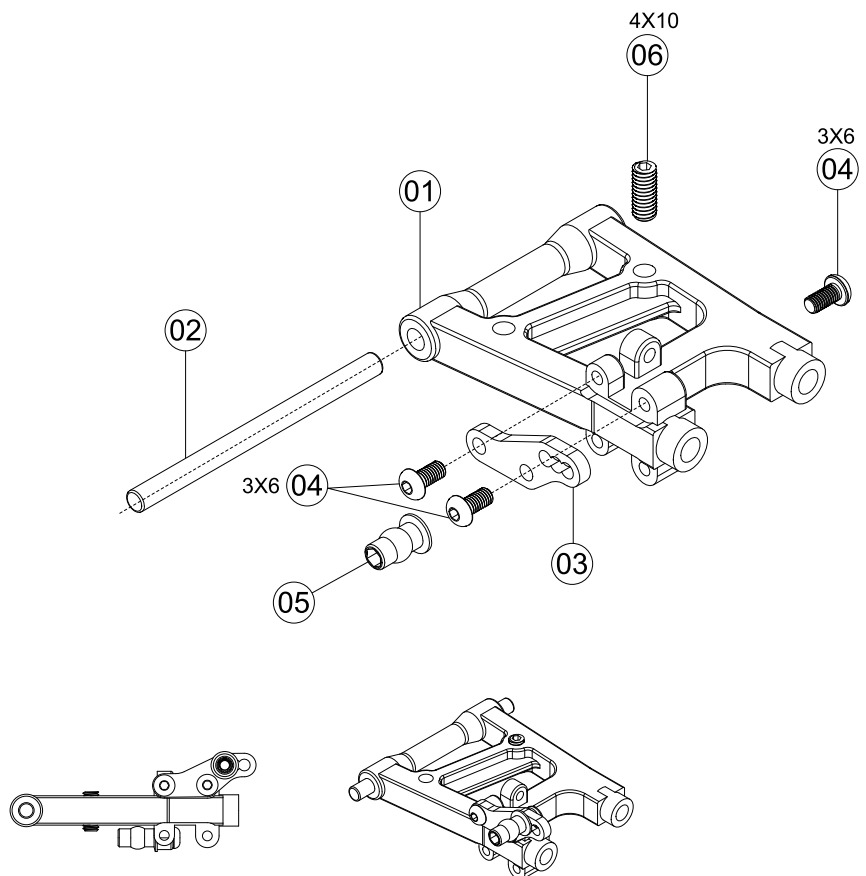


| | Item No. |
|---|----------|
| 1 | PA0113 |
| 2 | PA0114 |
| 3 | PA0116 |
| 4 | PA0117 |
| 5 | PA0118 |
| 6 | PA0086 |

Bag F

Bag X

12

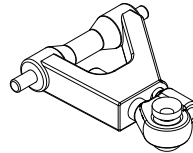
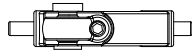
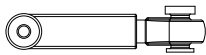
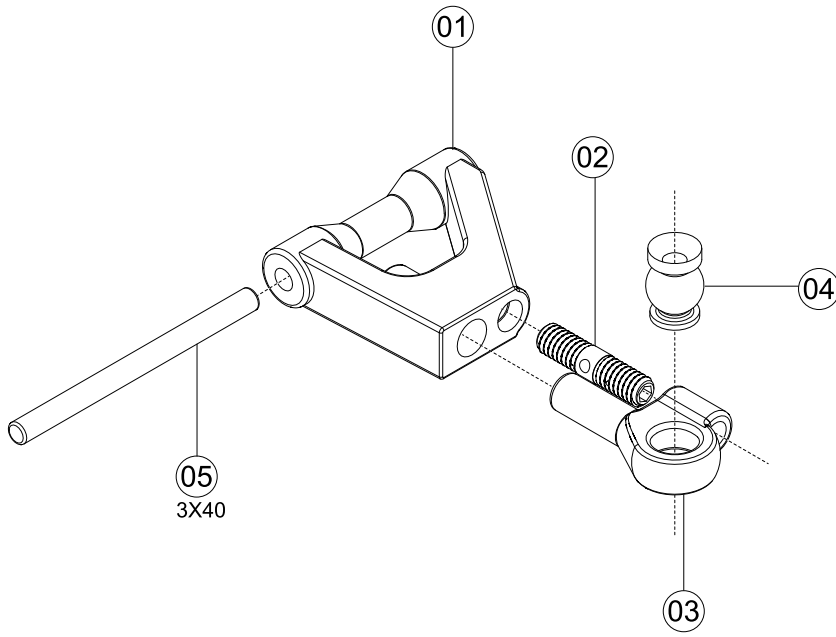


| | Item No. |
|---|----------|
| 1 | PA0119 |
| 2 | PA0120 |
| 3 | PA0121 |
| 4 | PA0095 |
| 5 | PA0030 |
| 6 | PA0122 |

Bag F

Bag X

13

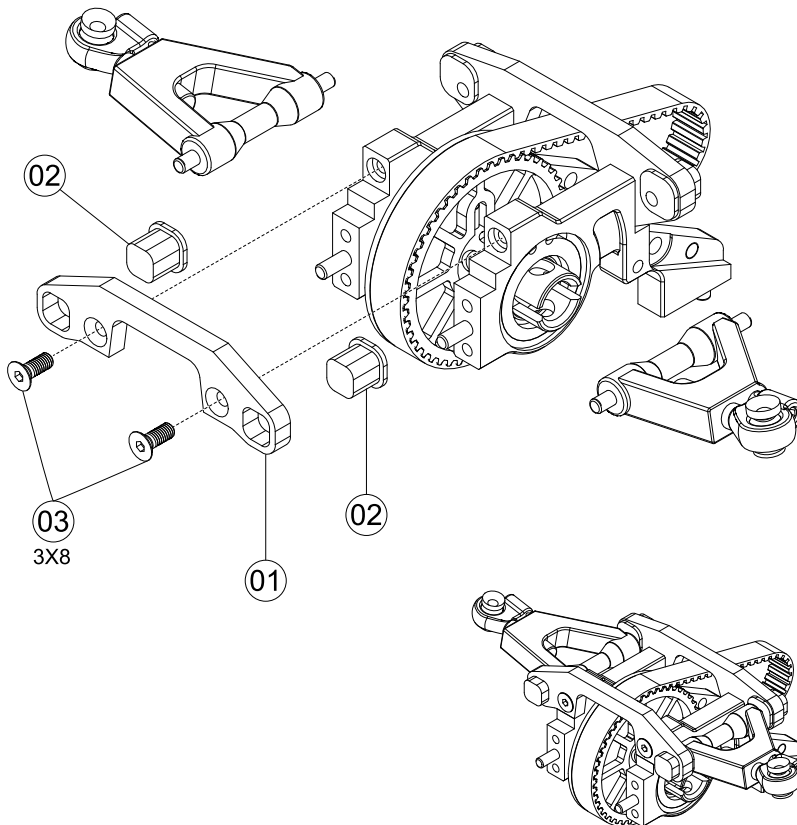


| | Item No. |
|---|----------|
| 1 | PA0123 |
| 2 | PA0124 |
| 3 | PA0125 |
| 4 | PA0126 |
| 5 | PA0127 |

Bag F

Bag X

14

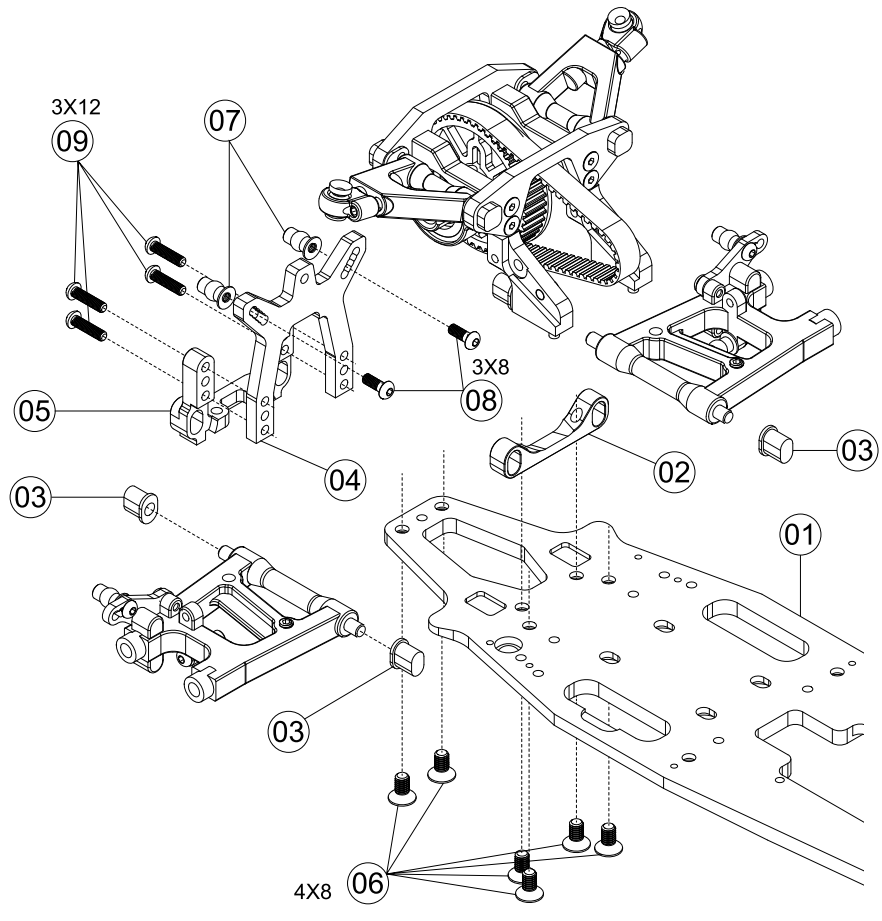


| | Item No. |
|---|----------|
| 1 | PA0128 |
| 2 | PA0118 |
| 3 | PA0086 |

Bag G

Bag X

15

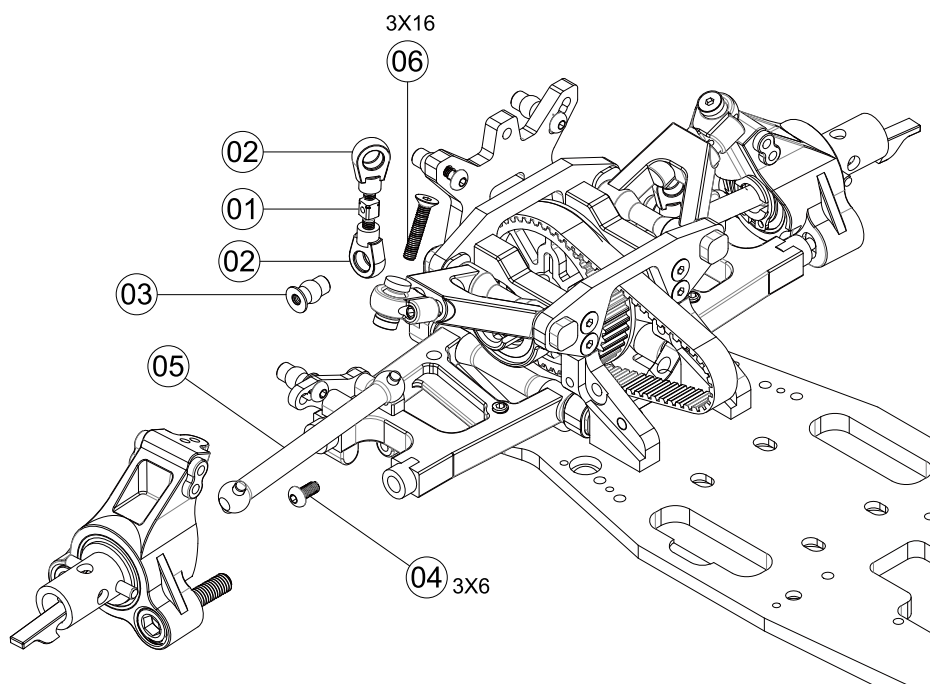


| | Item No. |
|---|----------|
| 1 | PA0129 |
| 2 | PA0130 |
| 3 | PA0131 |
| 4 | PA0132 |
| 5 | PA0133 |
| 6 | PA0134 |
| 7 | PA0030 |
| 8 | PA0135 |
| 9 | PA0102 |

Bag G

Bag X

16

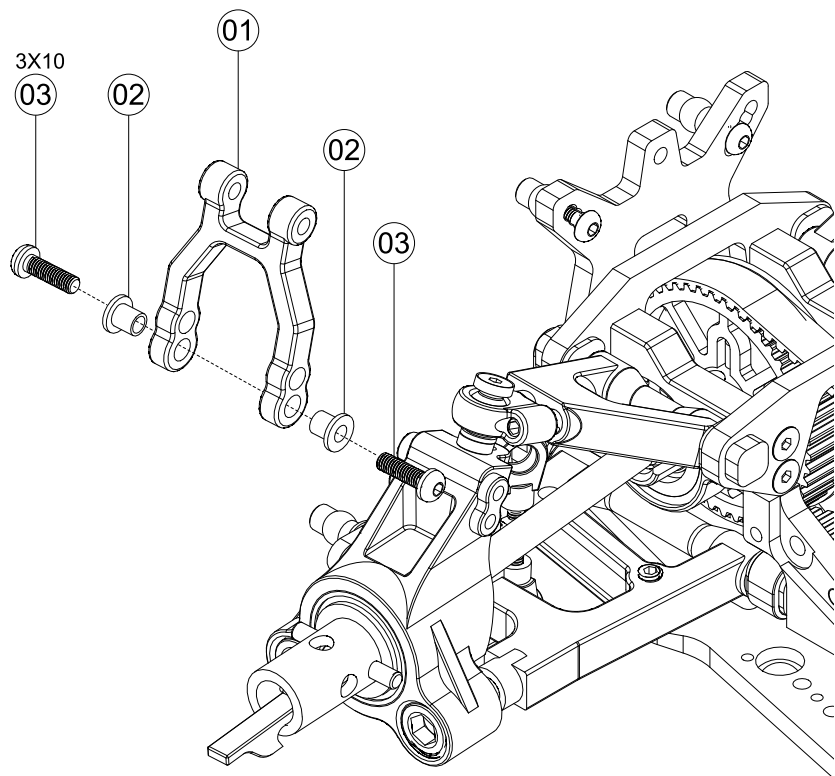


| | Item No. |
|---|----------|
| 1 | PA0136 |
| 2 | PA0137 |
| 3 | PA0030 |
| 4 | PA0096 |
| 5 | PA0138 |
| 6 | PA0139 |

Bag G

Bag X

17

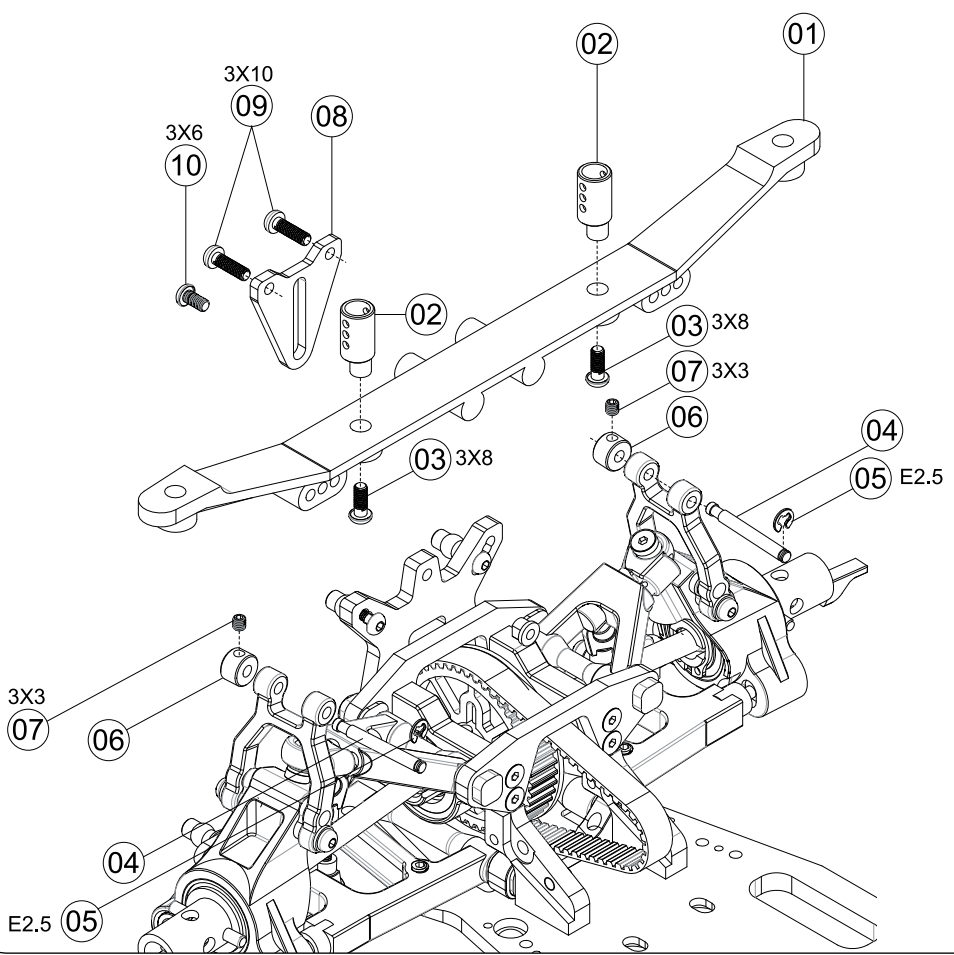


| | Item No. |
|---|----------|
| 1 | PA0140 |
| 2 | PA0141 |
| 3 | PA0142 |

Bag G

Bag X

18

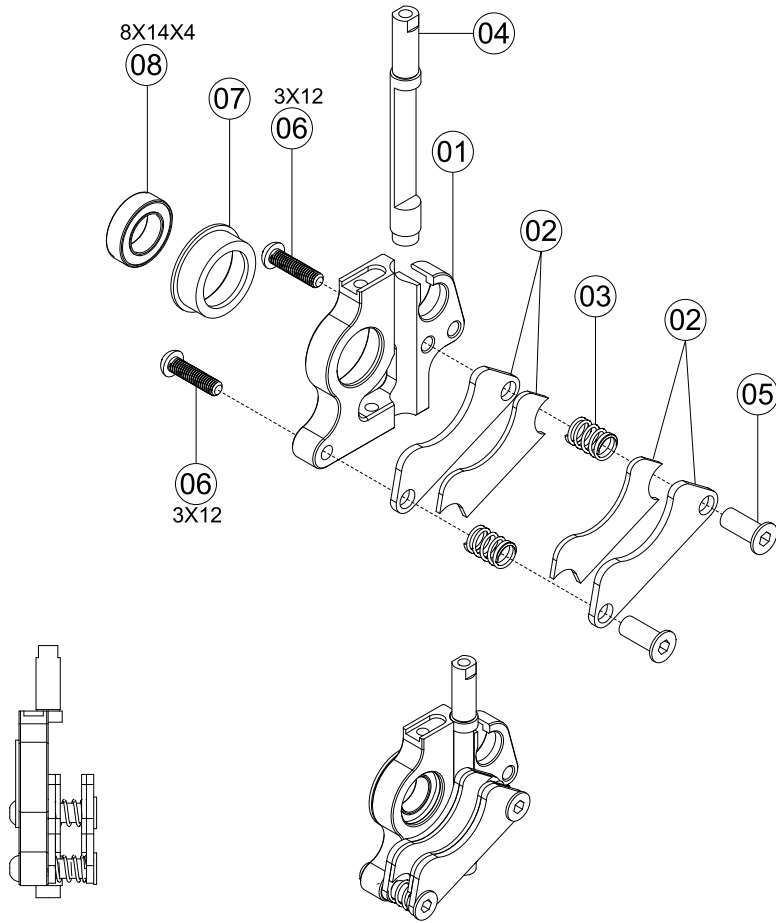


| | Item No. |
|----|----------|
| 1 | PA0143 |
| 2 | PA0144 |
| 3 | PA0135 |
| 4 | PA0145 |
| 5 | PA0146 |
| 6 | PA0147 |
| 7 | PA0075 |
| 8 | PA0148 |
| 9 | PA0142 |
| 10 | PA0095 |

Bag H

Bag X

19

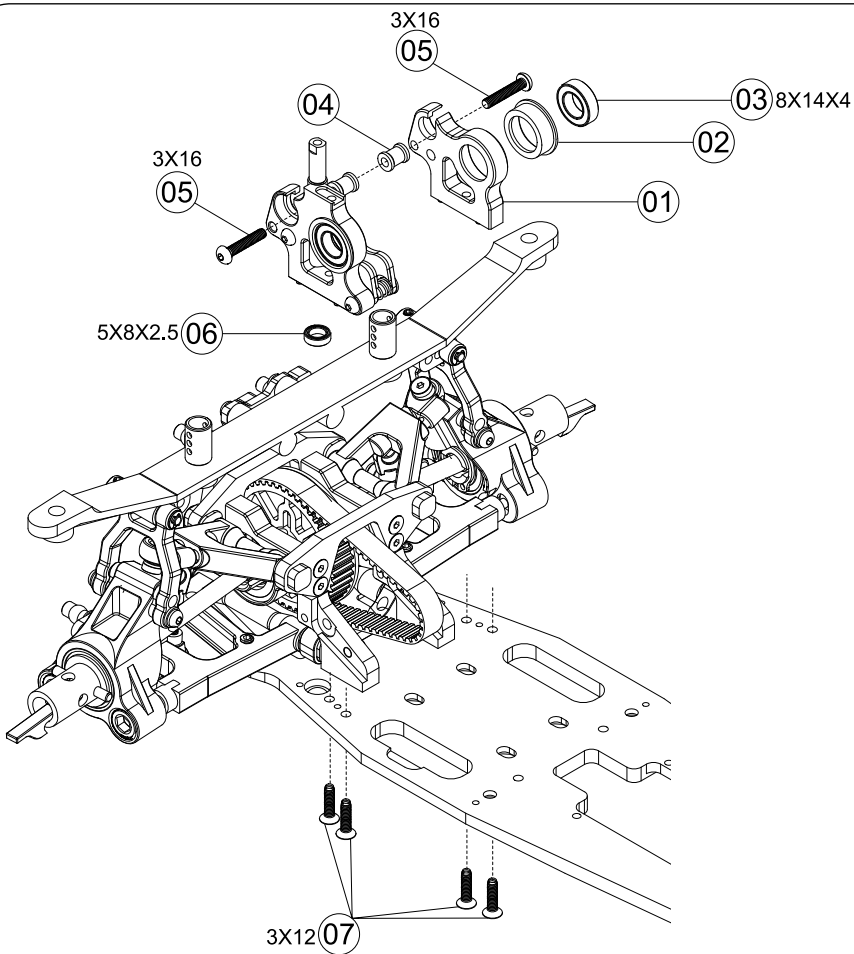


| | Item No. |
|---|----------|
| 1 | PA0149 |
| 2 | PA0150 |
| 3 | PA0151 |
| 4 | PA0152 |
| 5 | PA0153 |
| 6 | PA0102 |
| 7 | PA0154 |
| 8 | PA0155 |

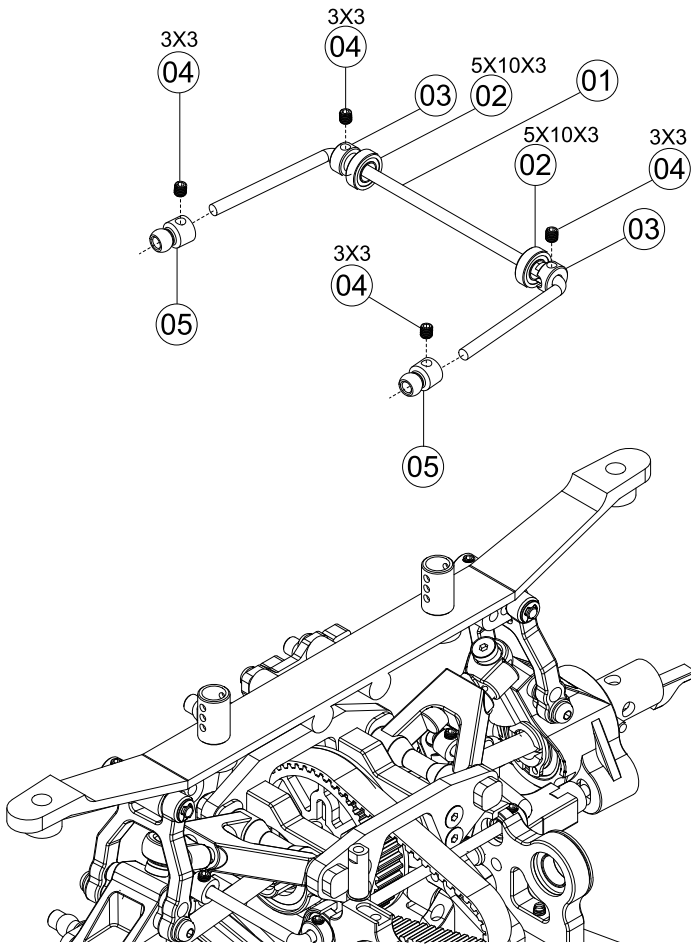
Bag H

Bag X

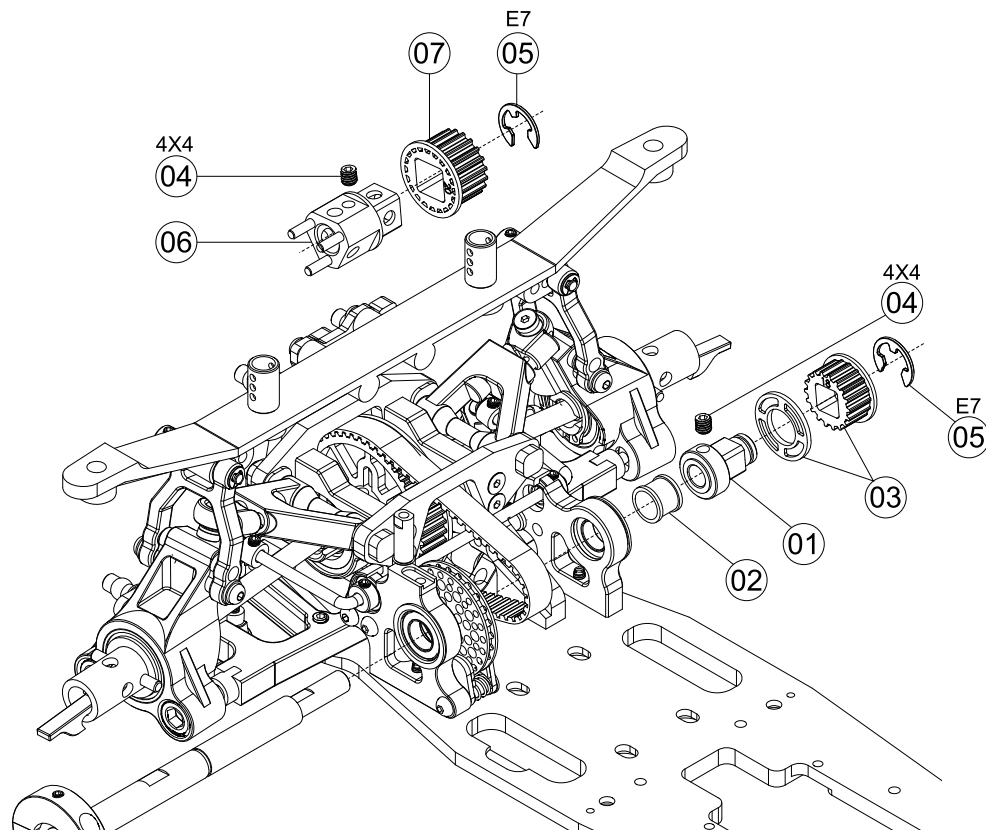
20



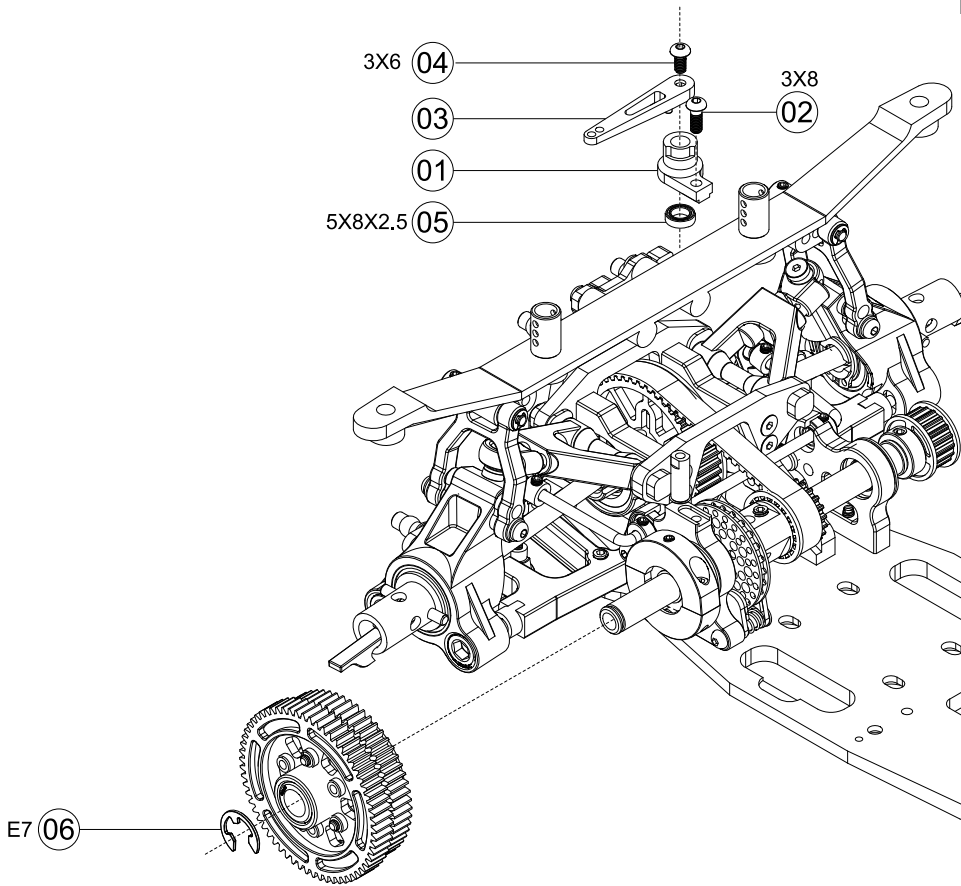
| | Item No. |
|---|----------|
| 1 | PA0156 |
| 2 | PA0154 |
| 3 | PA0155 |
| 4 | PA0157 |
| 5 | PA0158 |
| 6 | PA0087 |
| 7 | PA0159 |



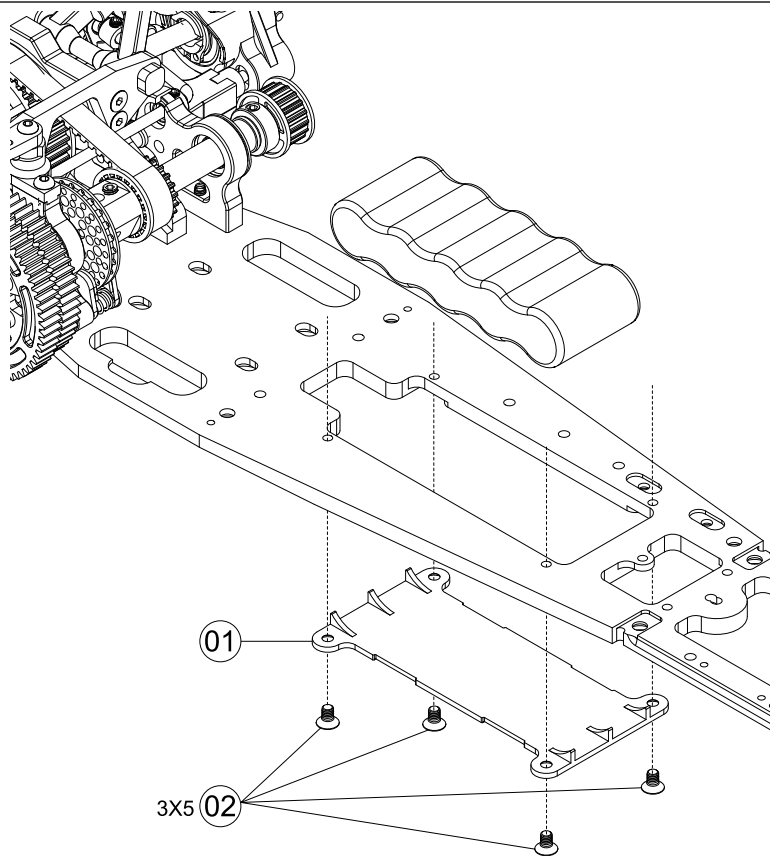
| | Item No. |
|---|----------|
| 1 | PA0160 |
| 2 | PA0161 |
| 3 | PA0162 |
| 4 | PA0075 |
| 5 | PA0163 |



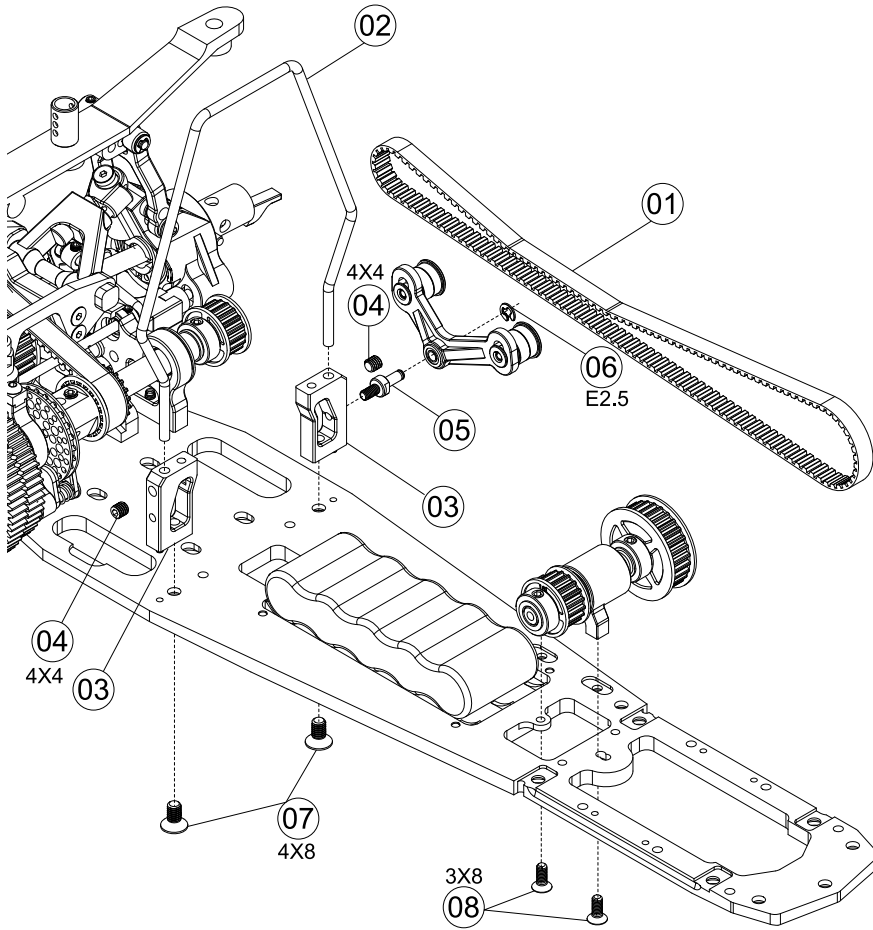
| | Item No. |
|---|----------|
| 1 | PA0067 |
| 2 | PA0164 |
| 3 | PA0165 |
| 4 | PA0068 |
| 5 | PA0065 |
| 6 | PA0166 |
| 7 | PA0167 |



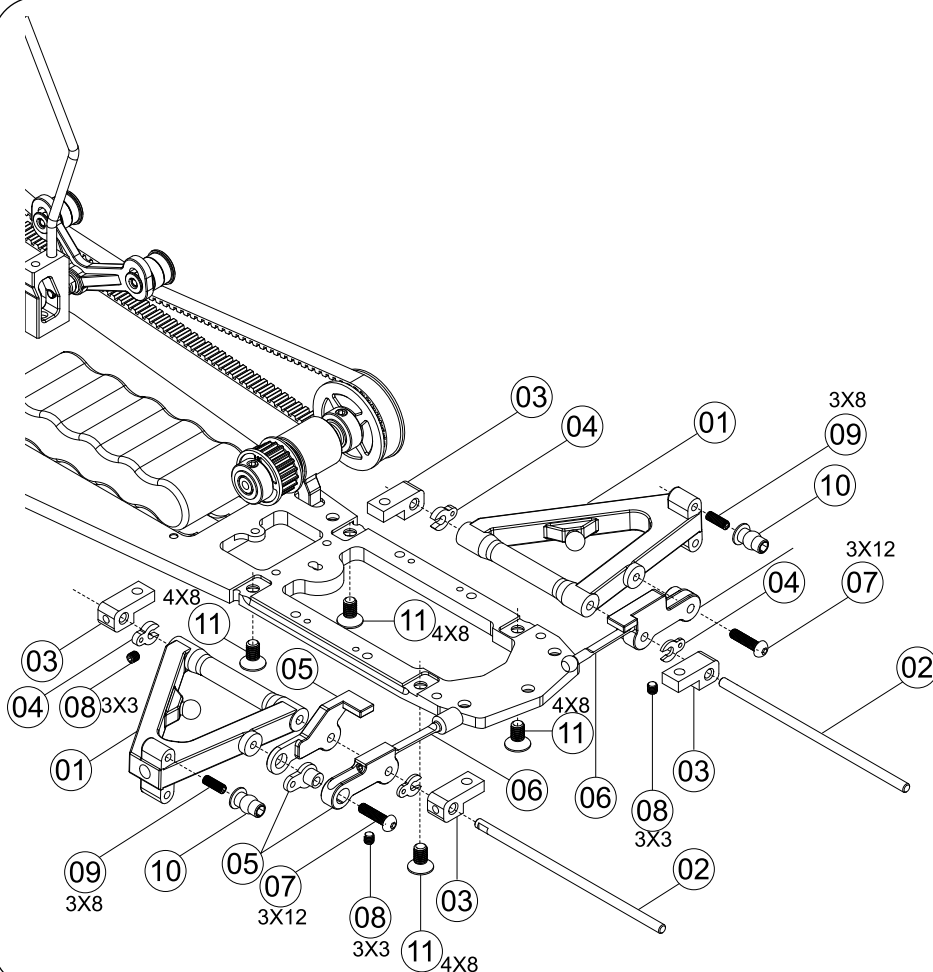
| | Item No. |
|---|----------|
| 1 | PA0168 |
| 2 | PA0135 |
| 3 | PA0169 |
| 4 | PA0095 |
| 5 | PA0087 |
| 6 | PA0065 |



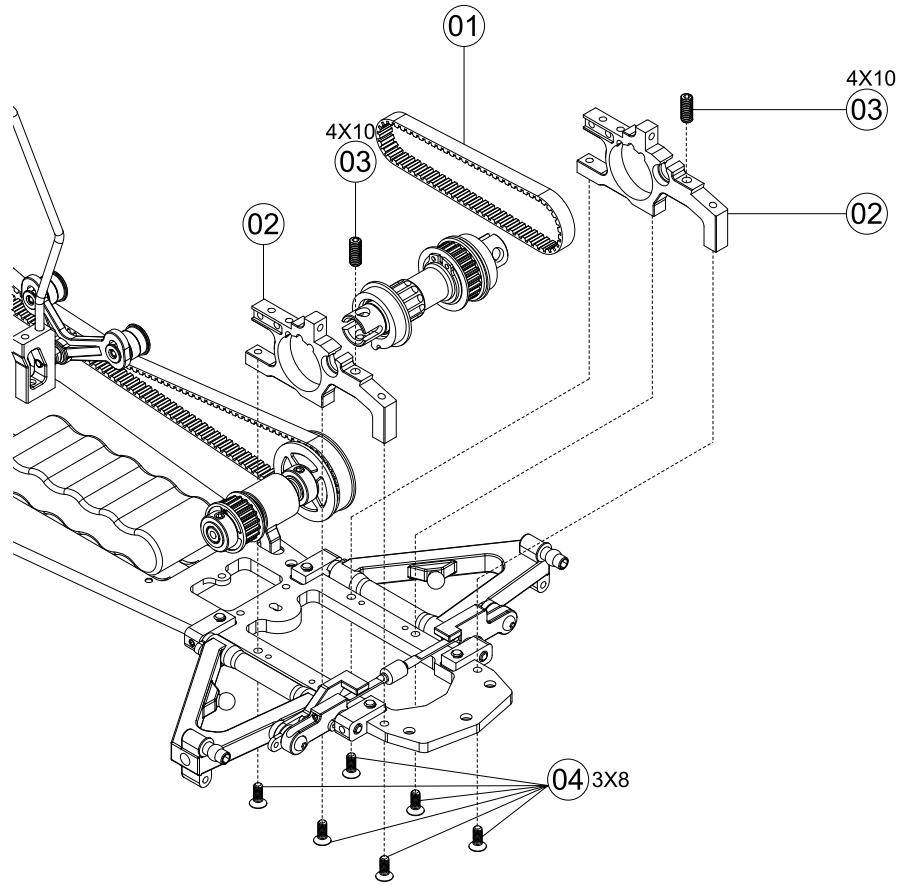
| | Item No. |
|---|----------|
| 1 | PA0170 |
| 2 | PA0082 |



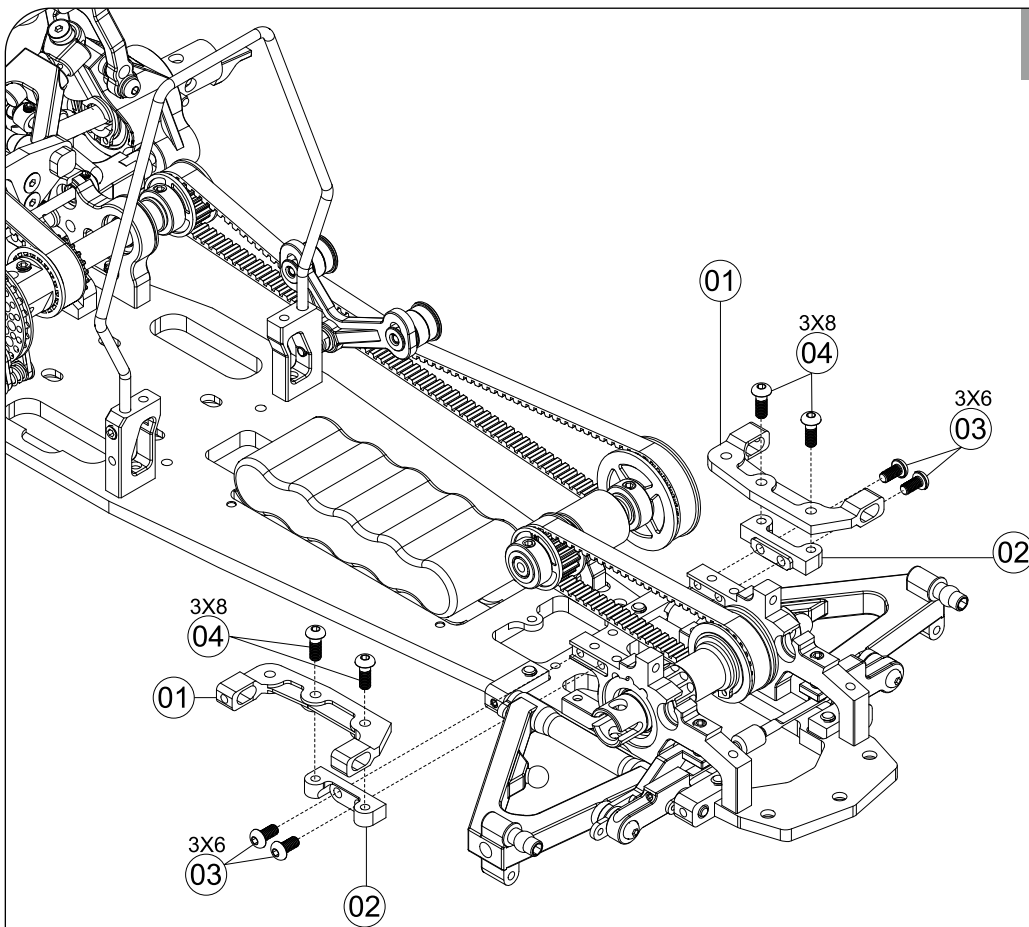
| | Item No. |
|---|----------|
| 1 | PA0171 |
| 2 | PA0172 |
| 3 | PA0173 |
| 4 | PA0068 |
| 5 | PA0174 |
| 6 | PA0146 |
| 7 | PA0134 |
| 8 | PA0086 |



| | Item No. |
|----|----------|
| 1 | PA0175 |
| 2 | PA0176 |
| 3 | PA0177 |
| 4 | PA0178 |
| 5 | PA0179 |
| 6 | PA0180 |
| 7 | PA0102 |
| 8 | PA0075 |
| 9 | PA0181 |
| 10 | PA0030 |
| 11 | PA0134 |



| | Item No. |
|---|----------|
| 1 | PA0182 |
| 2 | PA0183 |
| 3 | PA0184 |
| 4 | PA0086 |

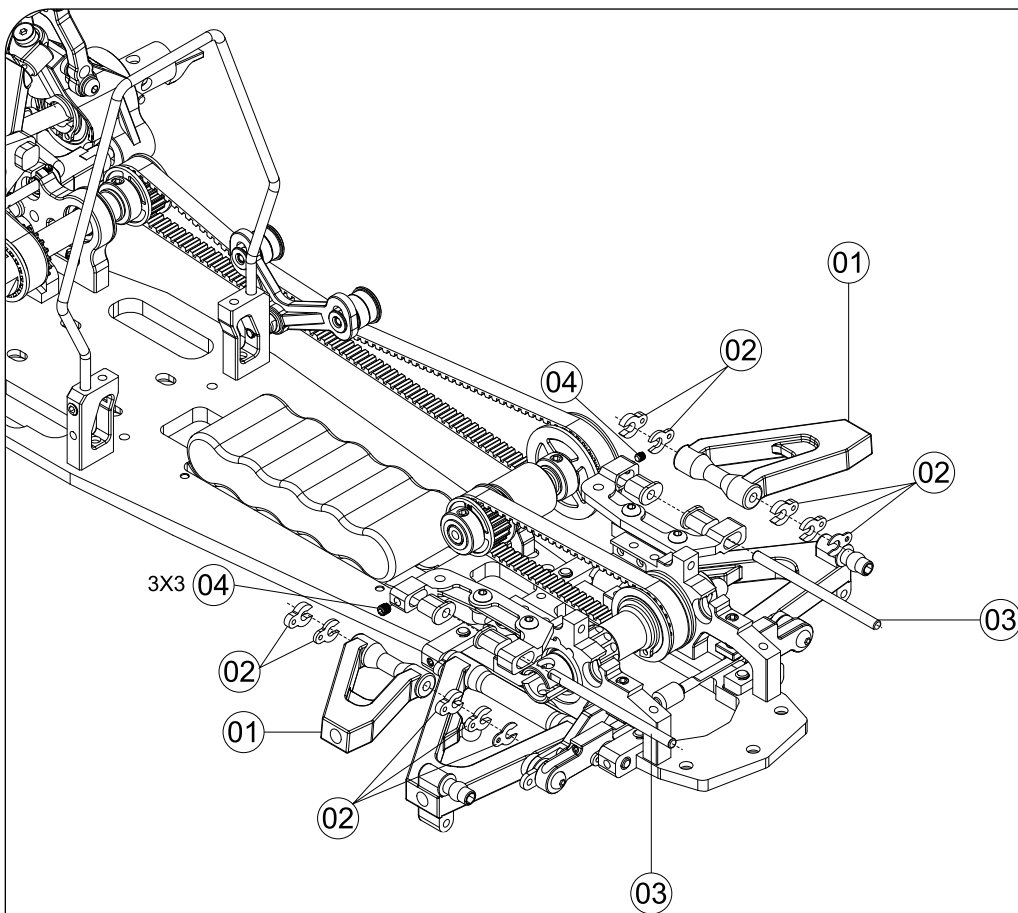


| | Item No. |
|---|----------|
| 1 | PA0185 |
| 2 | PA0186 |
| 3 | PA0095 |
| 4 | PA0135 |

Bag K

Bag X

29

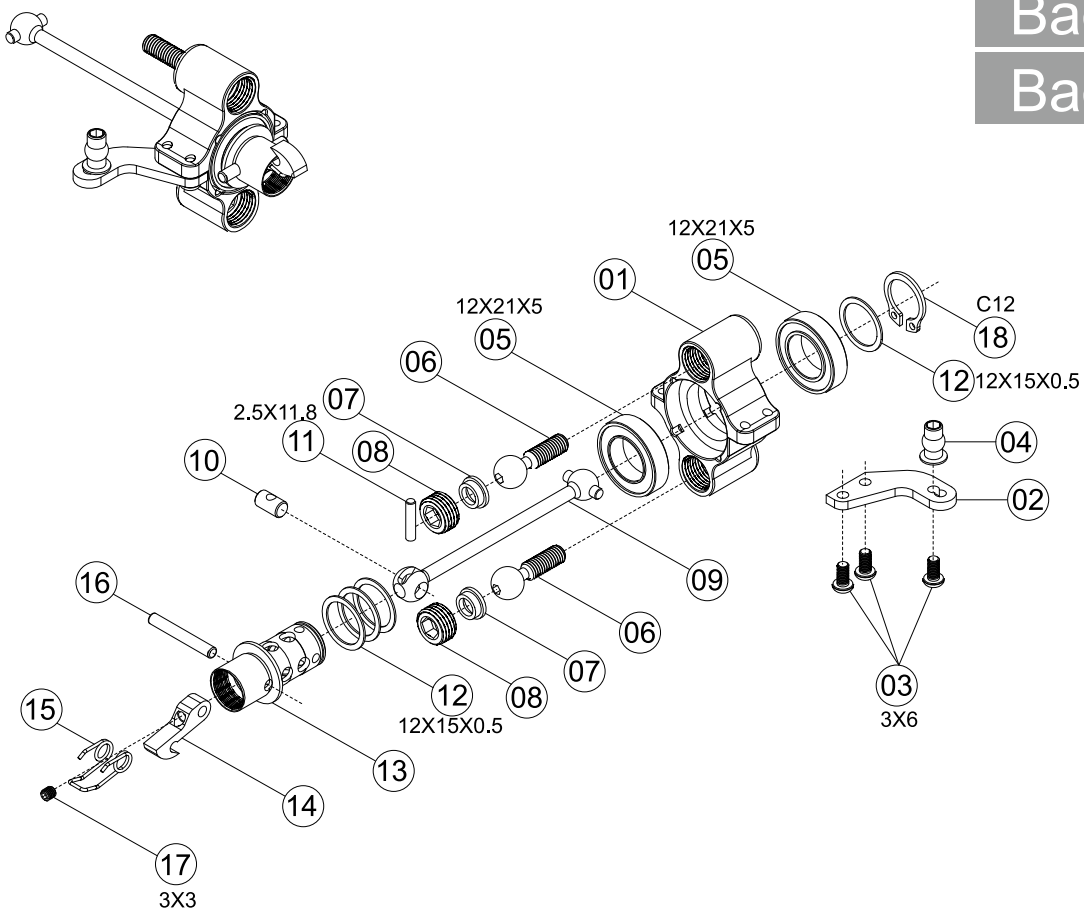


| | Item No. |
|---|----------|
| 1 | PA0187 |
| 2 | PA0178 |
| 3 | PA0188 |
| 4 | PA0075 |

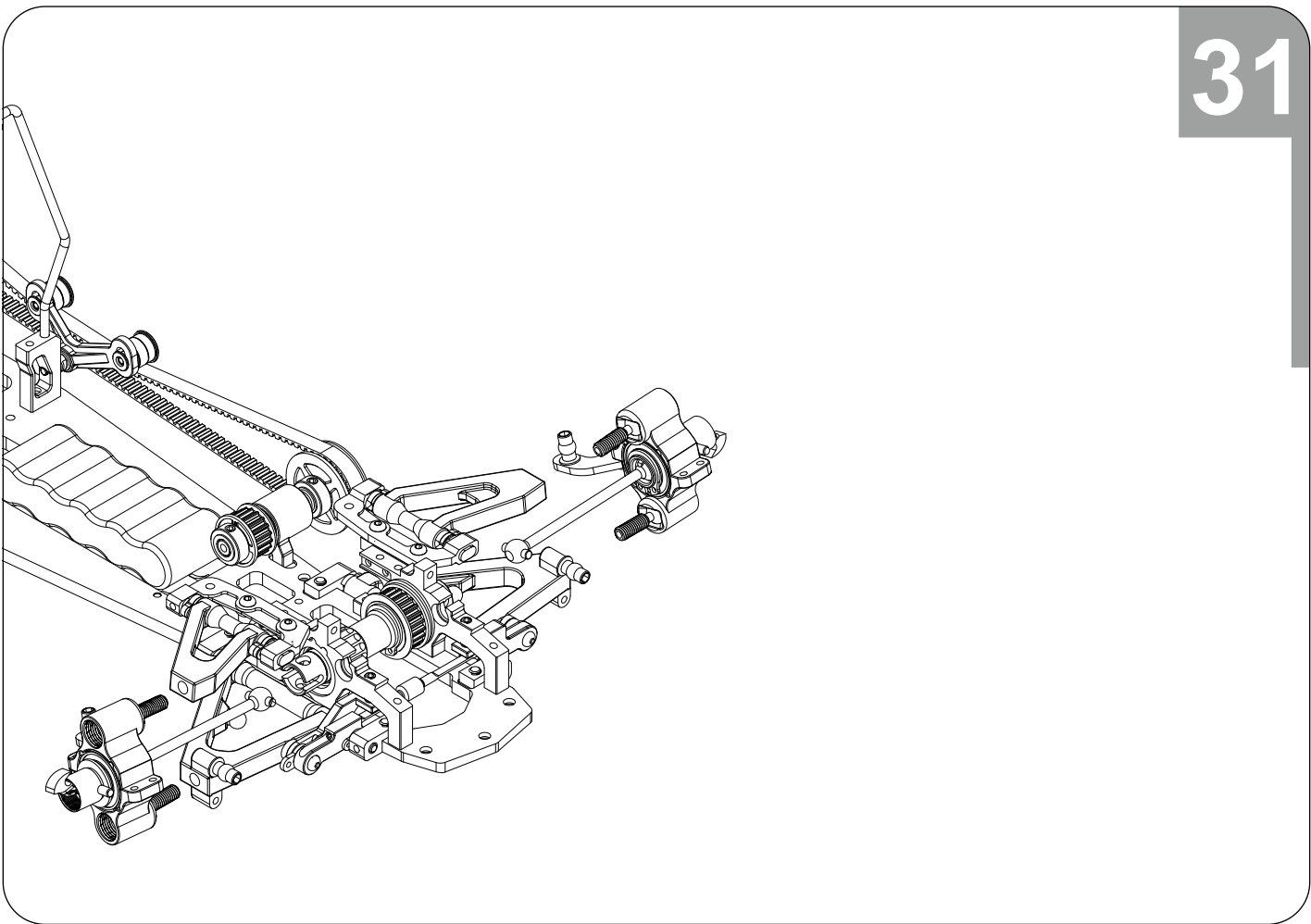
Bag L

Bag X

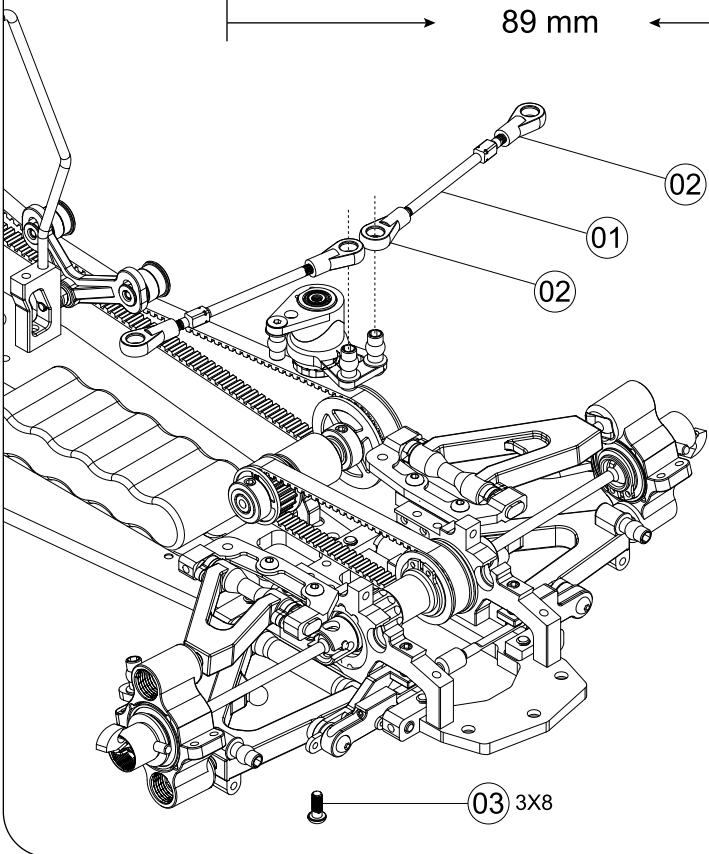
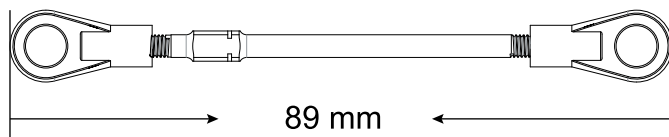
30



| | Item No. |
|----|----------|
| 1 | PA0189 |
| 2 | PA0190 |
| 3 | PA0095 |
| 4 | PA0030 |
| 5 | PA0105 |
| 6 | PA0108 |
| 7 | PA0109 |
| 8 | PA0110 |
| 9 | PA0191 |
| 10 | PA0192 |
| 11 | PA0193 |
| 12 | PA0107 |
| 13 | PA0194 |
| 14 | PA0195 |
| 15 | PA0111 |
| 16 | PA0055 |
| 17 | PA0075 |
| 18 | PA0052 |



Bag L
Bag X

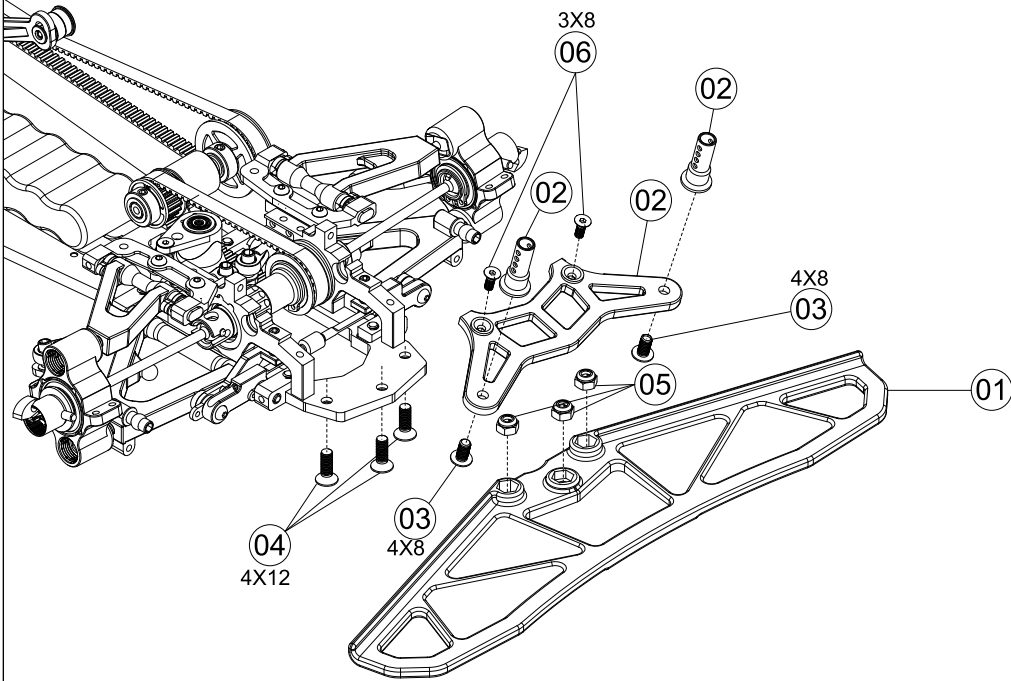


| | Item No. |
|---|----------|
| 1 | PA0196 |
| 2 | PA0197 |
| 3 | PA0135 |

Bag M

Bag X

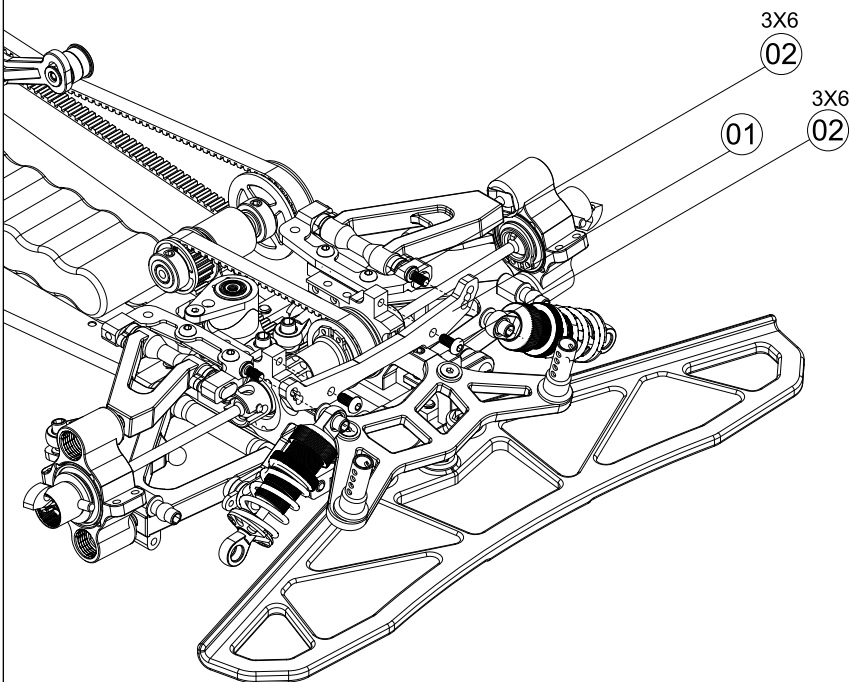
33



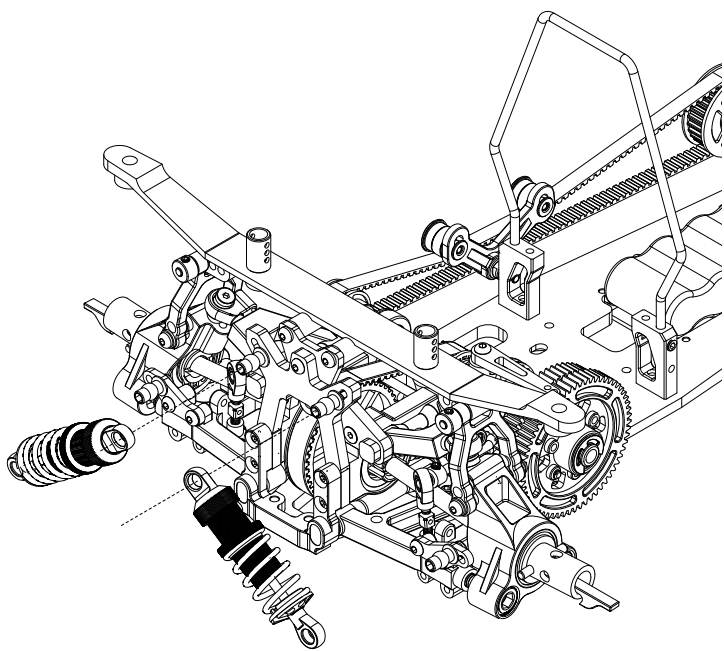
| | Item No. |
|---|----------|
| 1 | PA0198 |
| 2 | PA0199 |
| 3 | PA0200 |
| 4 | PA0201 |
| 5 | PA0202 |
| 6 | PA0086 |

Bag M

34

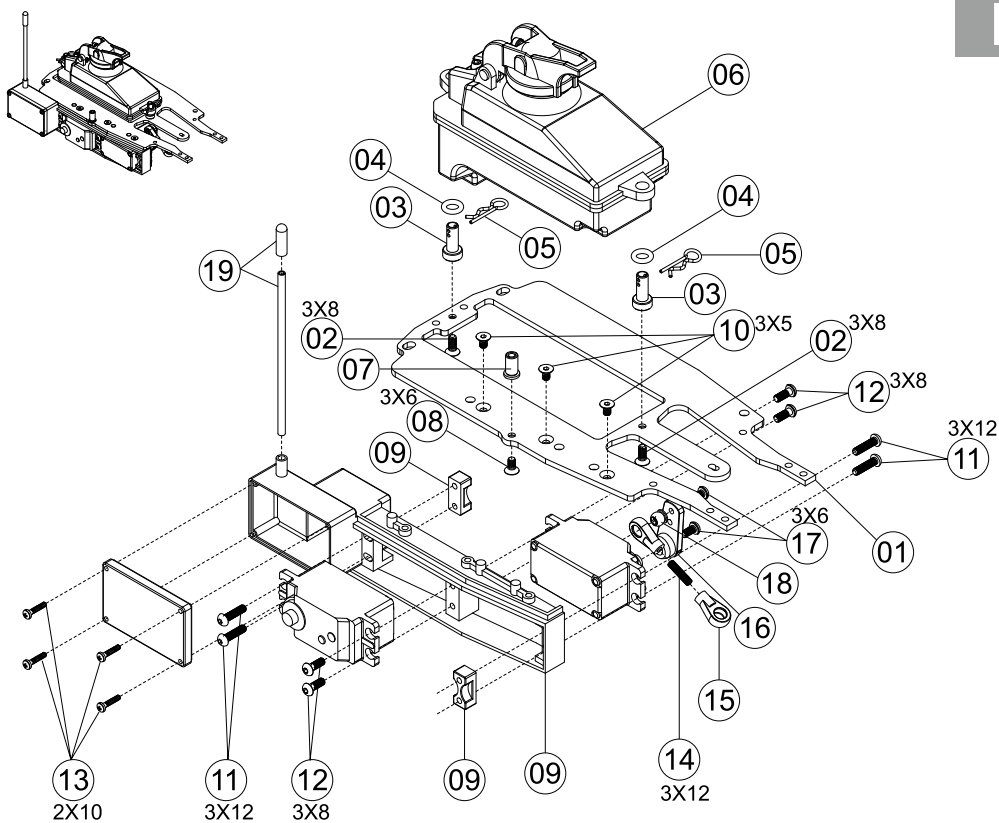


| | Item No. |
|---|----------|
| 1 | PA0203 |
| 2 | PA0095 |



Bag N

Bag X

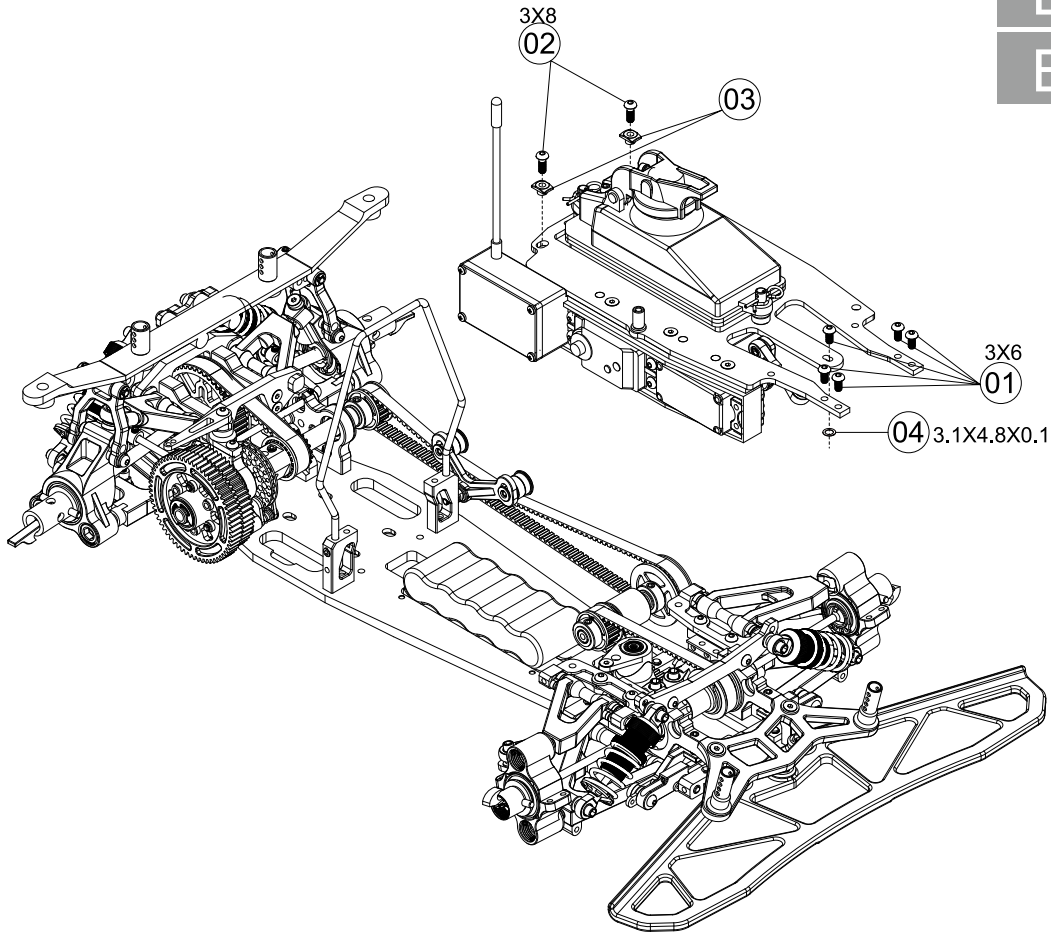


| | Item No. |
|----|----------|
| 1 | PA0204 |
| 2 | PA0086 |
| 3 | PA0205 |
| 4 | PA0206 |
| 5 | PA0207 |
| 6 | PA0208 |
| 7 | PA0209 |
| 8 | PA0096 |
| 9 | PA0210 |
| 10 | PA0082 |
| 11 | PA0102 |
| 12 | PA0135 |
| 13 | PA0211 |
| 14 | PA0212 |
| 15 | PA0213 |
| 16 | PA0214 |
| 17 | PA0095 |
| 18 | PA0215 |
| 19 | PA0239 |

Bag N

Bag X

37

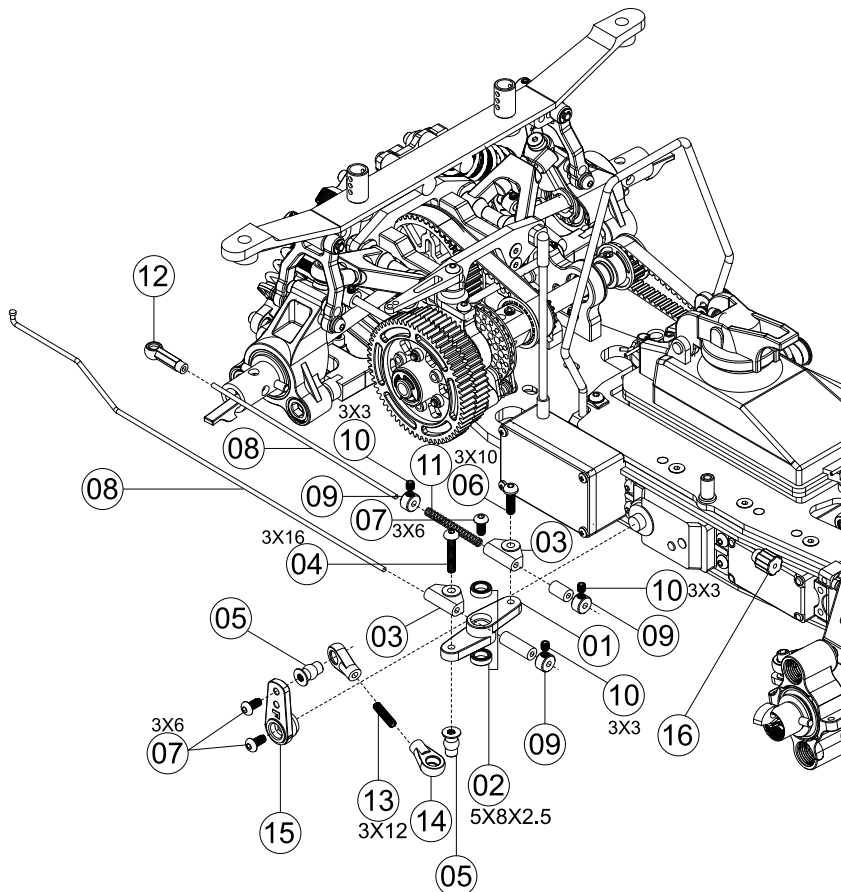


| | Item No. |
|---|----------|
| 1 | PA0095 |
| 2 | PA0135 |
| 3 | PA0216 |
| 4 | PA0242 |

Bag O

Bag X

38

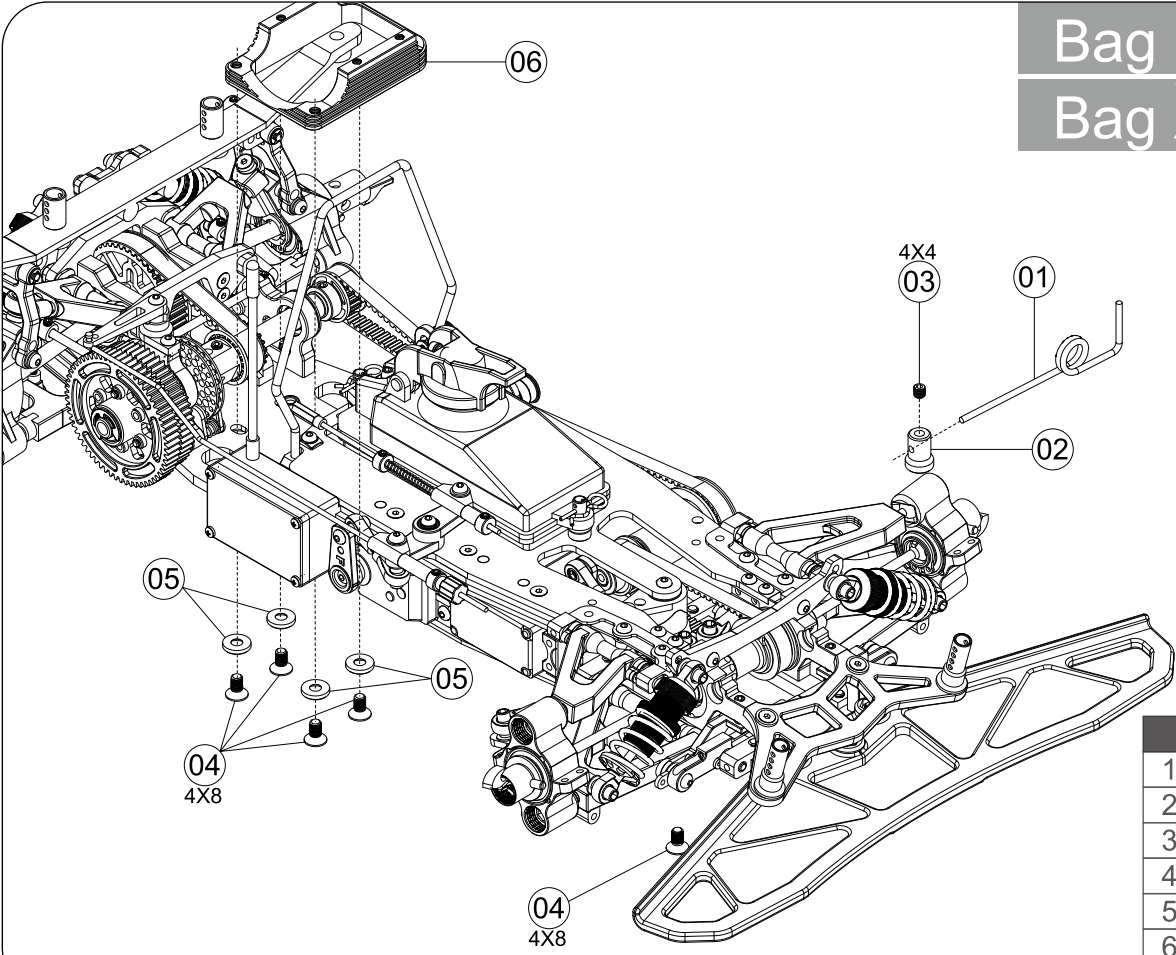


| | Item No. |
|----|----------|
| 1 | PA0216 |
| 2 | PA0087 |
| 3 | PA0216 |
| 4 | PA0158 |
| 5 | PA0030 |
| 6 | PA0142 |
| 7 | PA0095 |
| 8 | PA0217 |
| 9 | PA0218 |
| 10 | PA0075 |
| 11 | PA0219 |
| 12 | PA0220 |
| 13 | PA0212 |
| 14 | PA0213 |
| 15 | PA0214 |
| 16 | PA0240 |

Bag O

Bag X

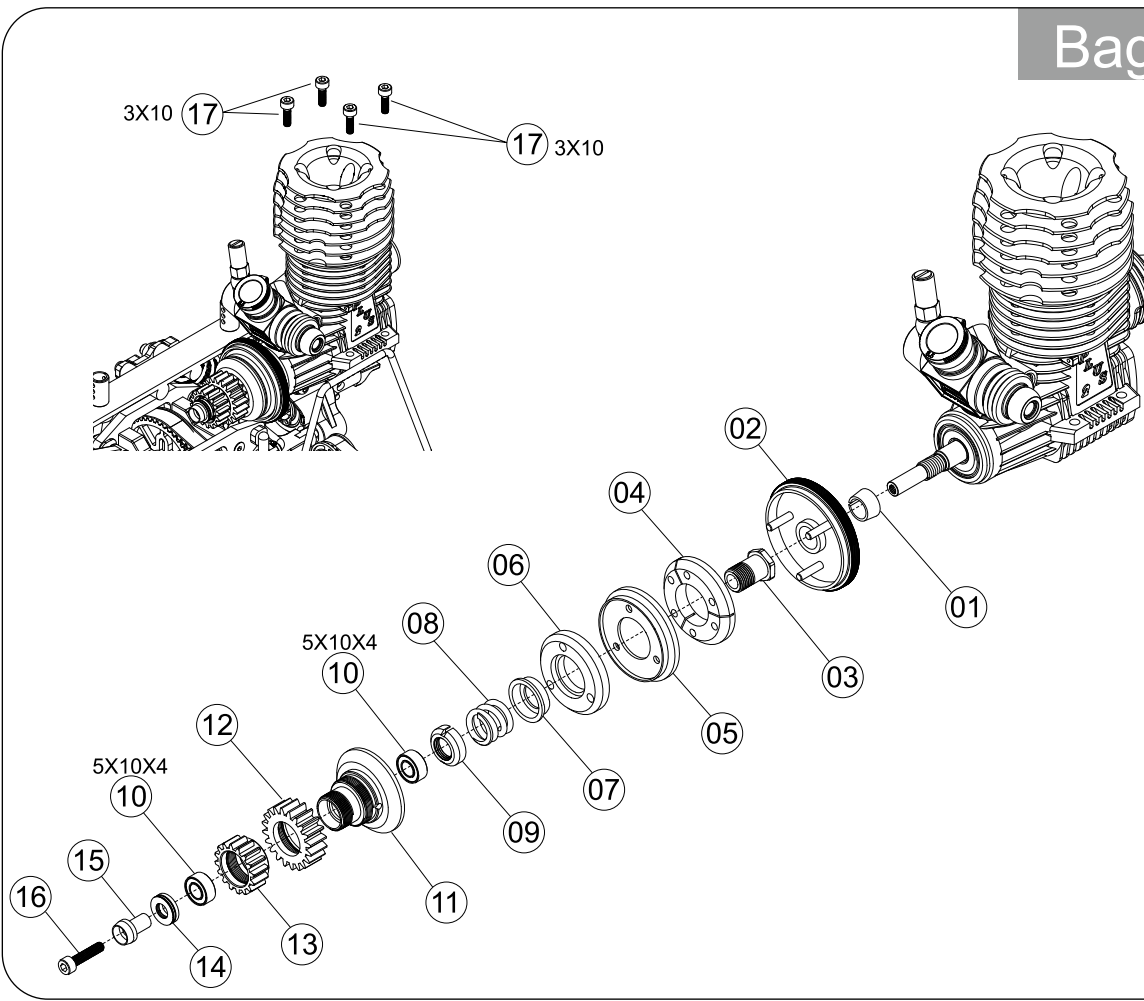
39



| | Item No. |
|---|----------|
| 1 | PA0221 |
| 2 | PA0222 |
| 3 | PA0068 |
| 4 | PA0134 |
| 5 | PA0223 |
| 6 | PA0224 |

Bag P

40



| | Item No. |
|----|----------|
| 1 | PA0225 |
| 2 | PA0226 |
| 3 | PA0227 |
| 4 | PA0228 |
| 5 | PA0229 |
| 6 | PA0230 |
| 7 | PA0231 |
| 8 | PA0232 |
| 9 | PA0233 |
| 10 | PA0100 |
| 11 | PA0234 |
| 12 | PA0235 |
| 13 | PA0236 |
| 14 | PA0237 |
| 15 | PA0238 |
| 16 | PA0244 |
| 17 | PA0241 |

