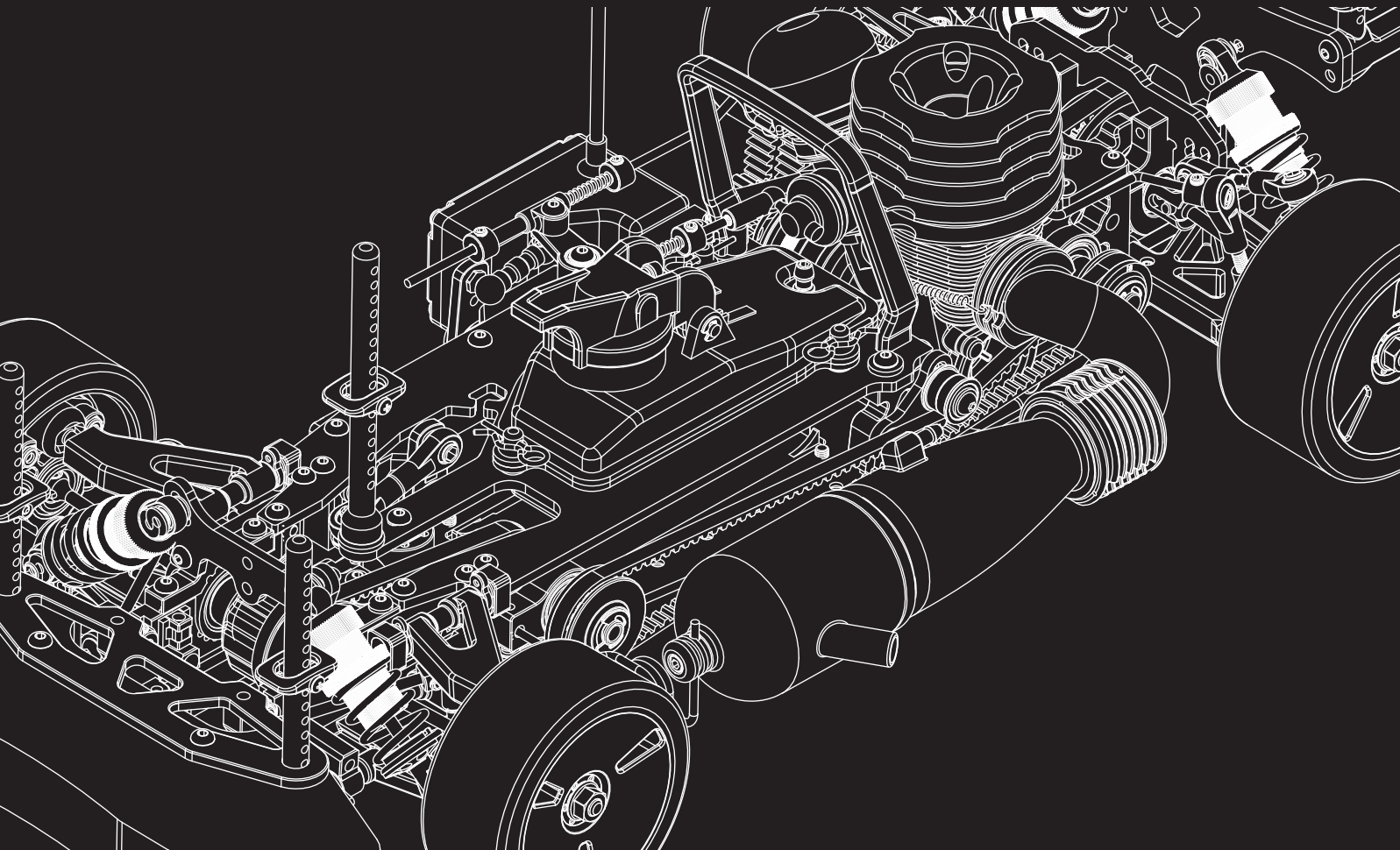


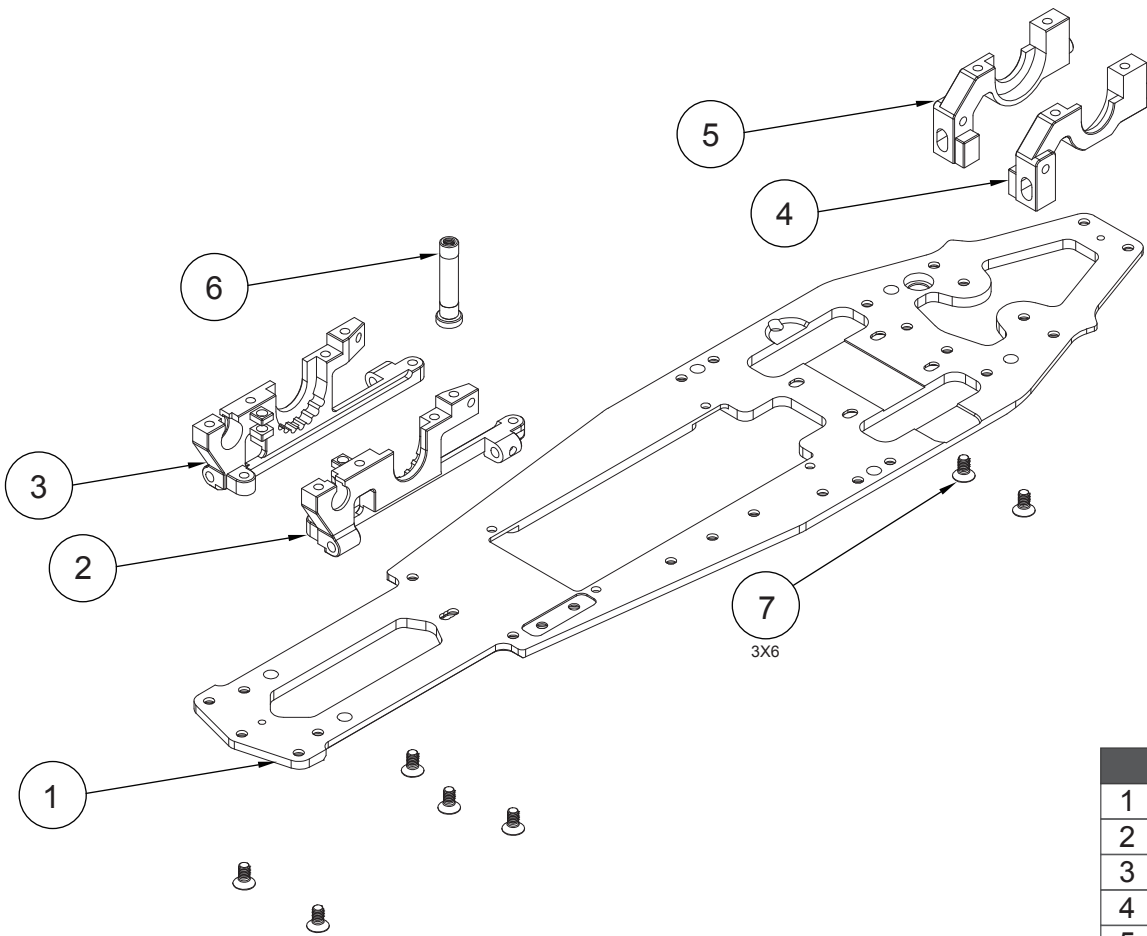
# BMT 701

**ENGINE POWERED 4WD RACING CAR**

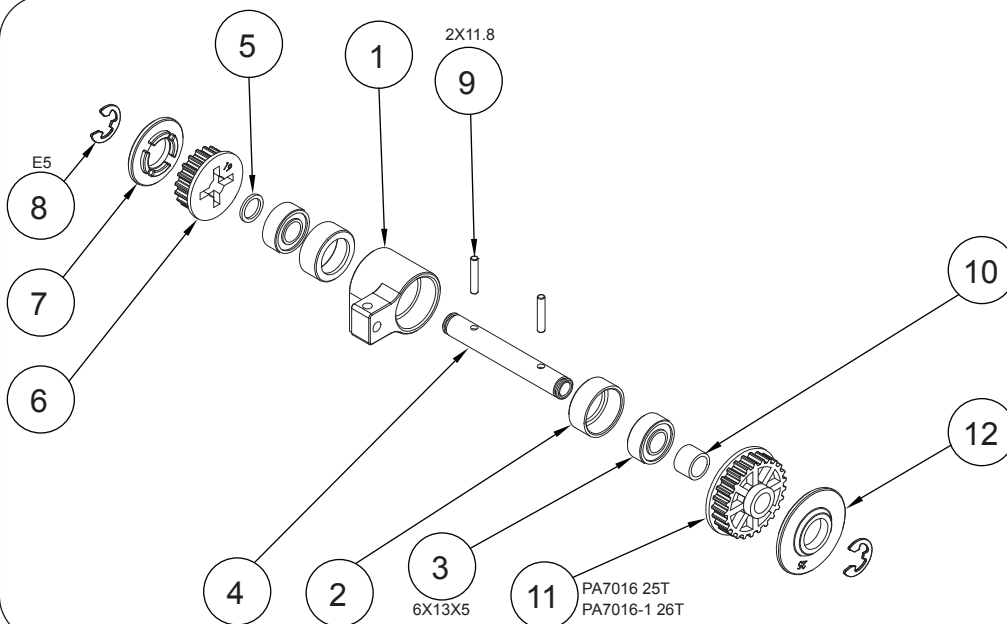
1:10 Scale Radio Controlled Engine 4WD Racing Car



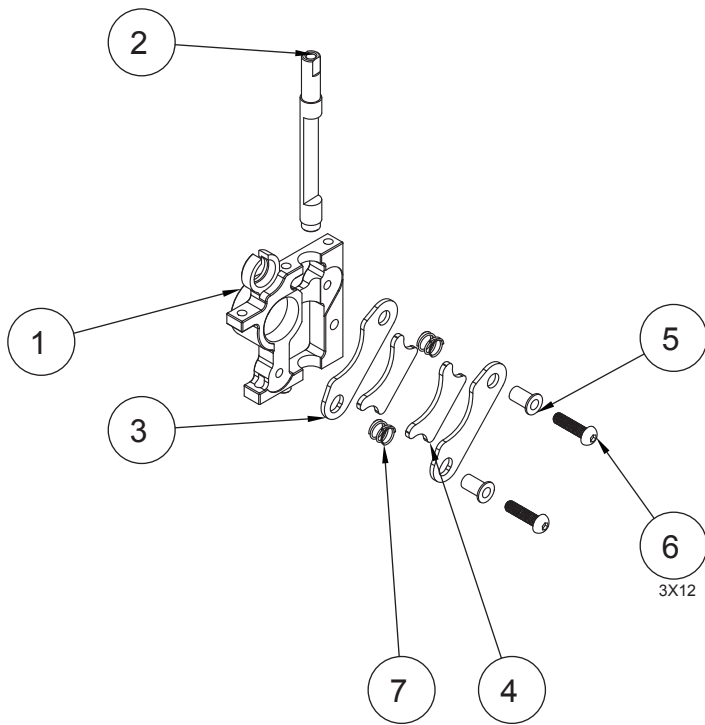
Instruction & Setup Manual



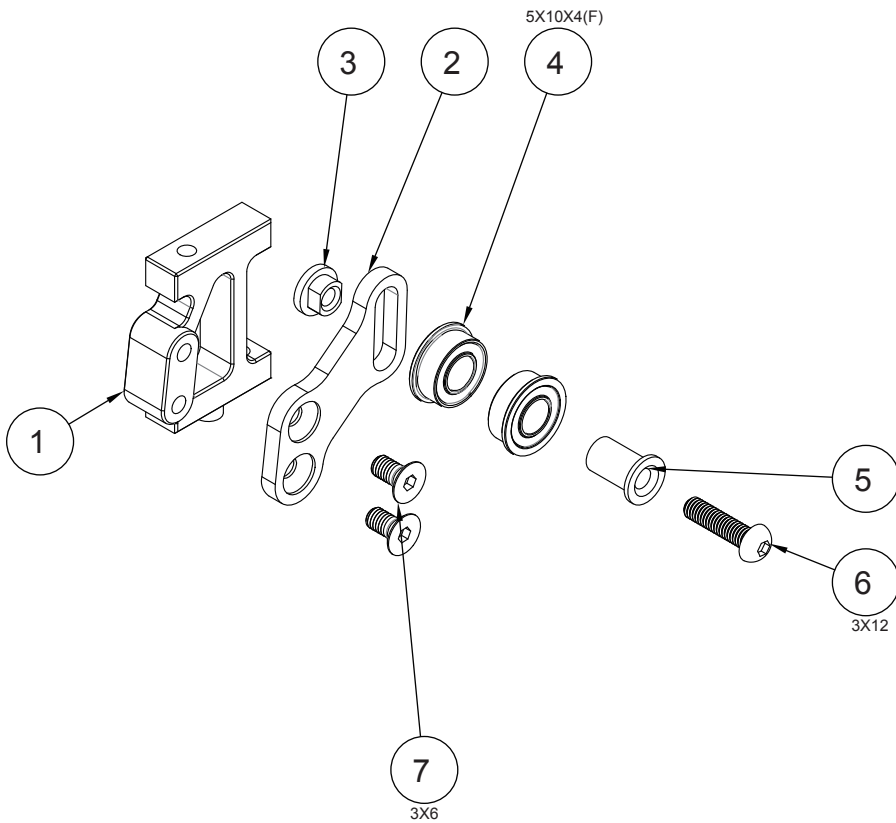
|   | Item No. |
|---|----------|
| 1 | PA7001   |
| 2 | PA7002   |
| 3 | PA7003   |
| 4 | PA7004   |
| 5 | PA7005   |
| 6 | PA7006   |
| 7 | PA0096   |



|    | Item No. |
|----|----------|
| 1  | PA7007   |
| 2  | PA7008   |
| 3  | PA7009   |
| 4  | PA7010   |
| 5  | PA7011   |
| 6  | PA7012   |
| 7  | PA7012   |
| 8  | PA7013   |
| 9  | PA7014   |
| 10 | PA7015   |
| 11 | PA7016   |
| 12 | PA7016   |



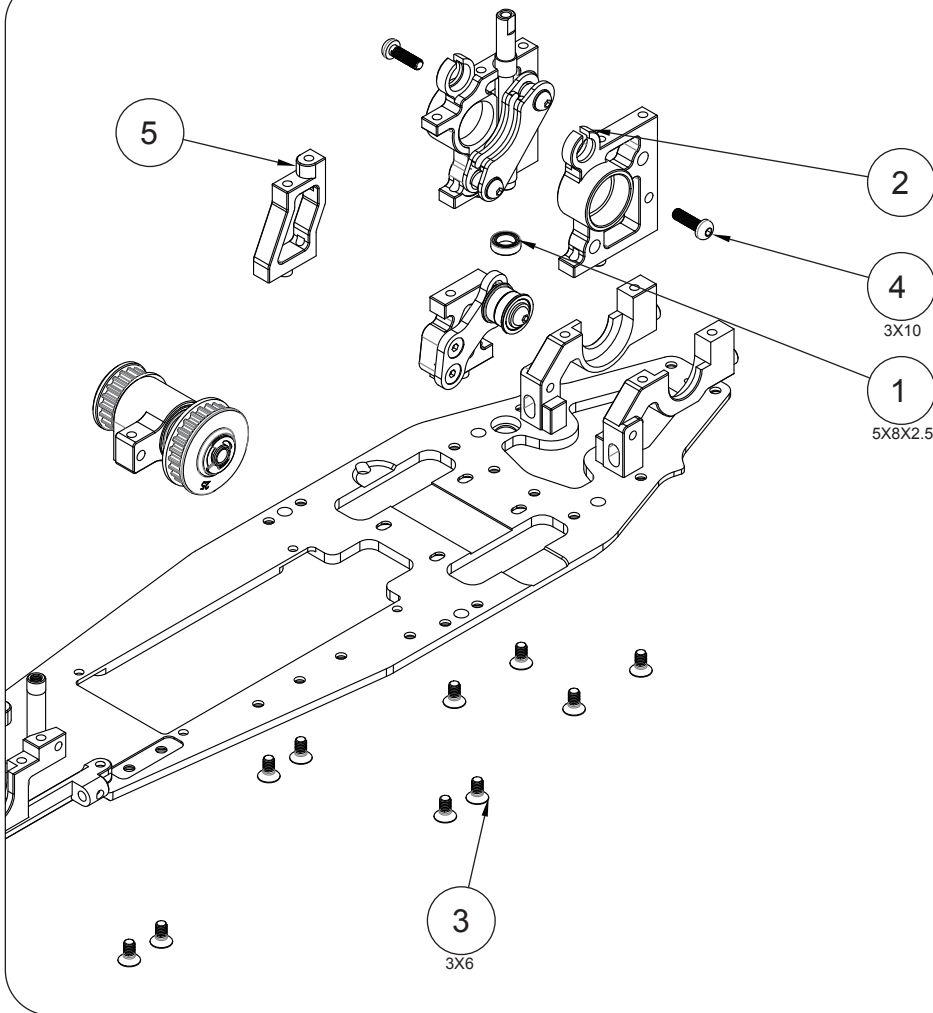
|   | Item No. |
|---|----------|
| 1 | PA7017   |
| 2 | PA7018   |
| 3 | PA7019   |
| 4 | PA7019   |
| 5 | PA7020   |
| 6 | PA7021   |
| 7 | PA7022   |



|   | Item No. |
|---|----------|
| 1 | PA7023   |
| 2 | PA7024   |
| 3 | PA7025   |
| 4 | PA7026   |
| 5 | PA7027   |
| 6 | PA7021   |
| 7 | PA0096   |

# Bag A

# 05

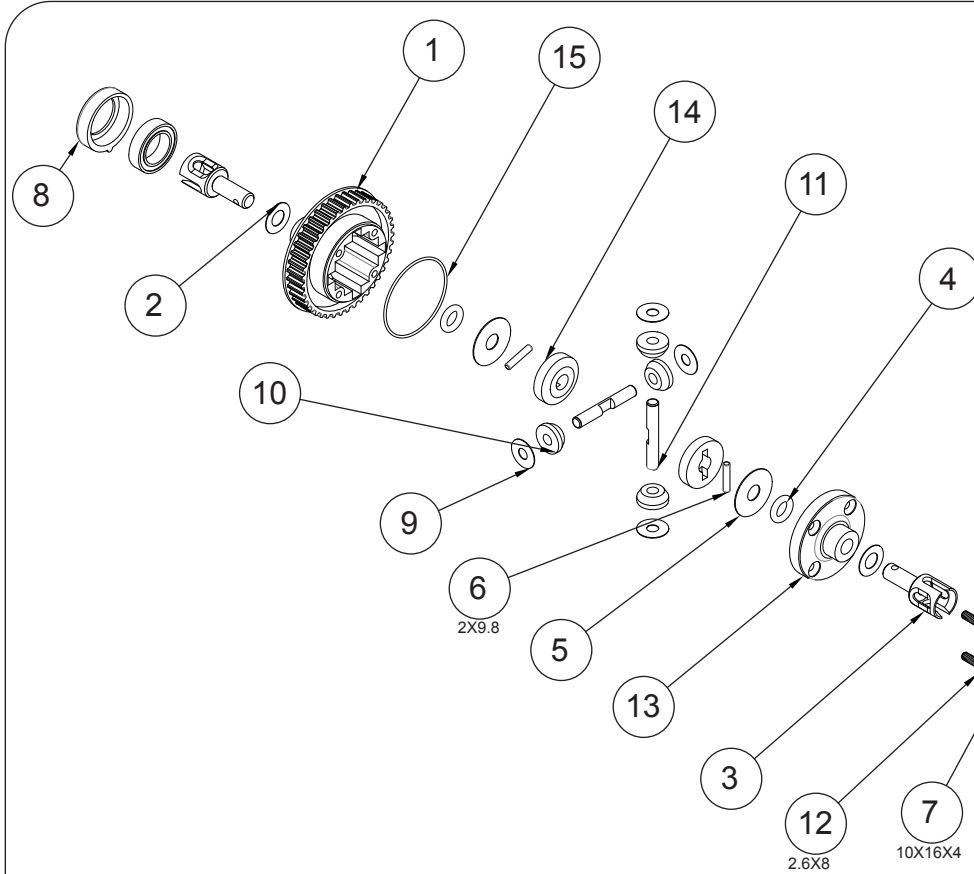


|   | Item No. |
|---|----------|
| 1 | PA0087   |
| 2 | PA7028   |
| 3 | PA0096   |
| 4 | PA0142   |
| 5 | PA7029   |

# Bag B

# 06

# Bag X

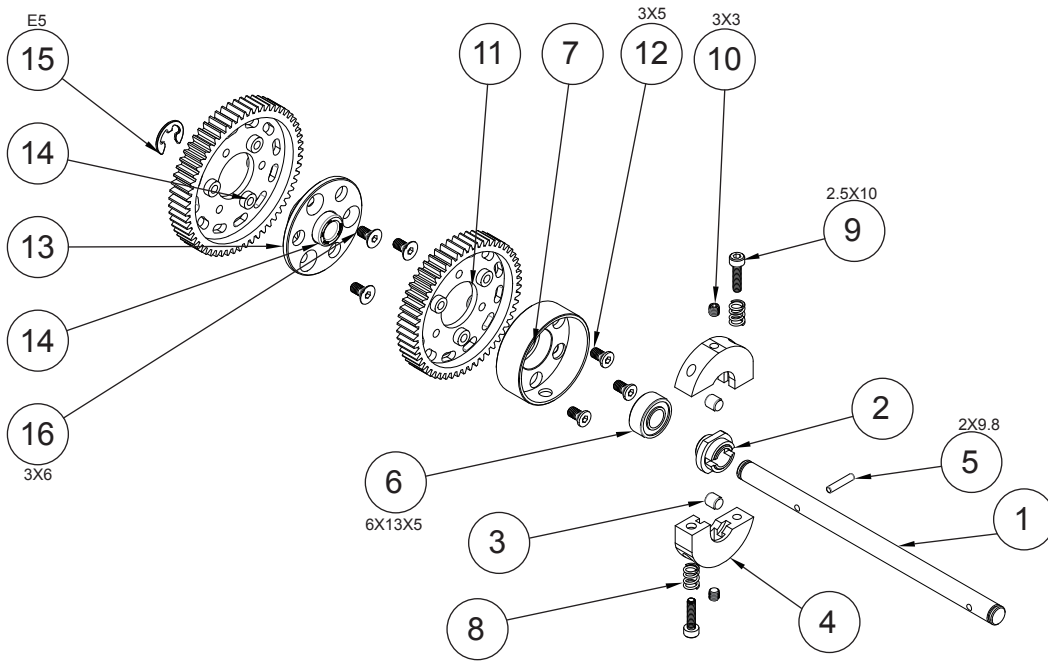


|    | Item No. |
|----|----------|
| 1  | PA7030   |
| 2  | PA0251   |
| 3  | PA7032   |
| 4  | PA0206   |
| 5  | PA7033   |
| 6  | PA7034   |
| 7  | PA7035   |
| 8  | PA7036   |
| 9  | PA7037   |
| 10 | PA7038   |
| 11 | PA7039   |
| 12 | PA7040   |
| 13 | PA7030   |
| 14 | PA7038   |
| 15 | PA7086   |

Bag C

Bag X

07

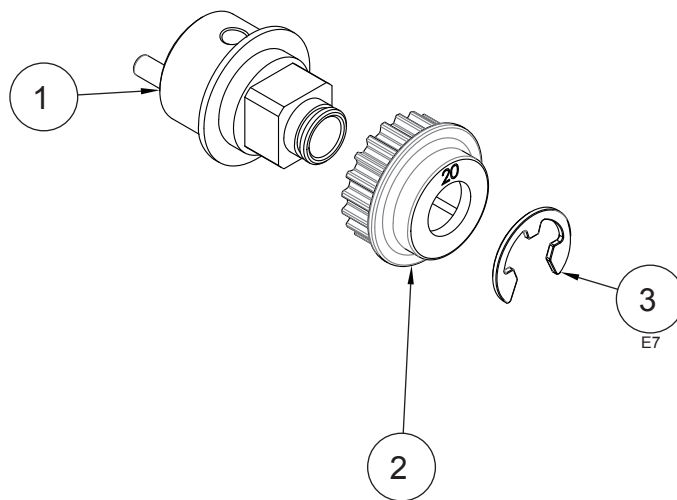


|    | Item No. |
|----|----------|
| 1  | PA7087   |
| 2  | PA7041   |
| 3  | PA7042   |
| 4  | PA7043   |
| 5  | PA7034   |
| 6  | PA7009   |
| 7  | PA7044   |
| 8  | PA7045   |
| 9  | PA0078   |
| 10 | PA0075   |
| 11 | PA7046   |
| 12 | PA0096S  |
| 13 | PA7047   |
| 14 | PA7048   |
| 15 | PA7013   |
| 16 | PA0096   |

Bag C

Bag X

08

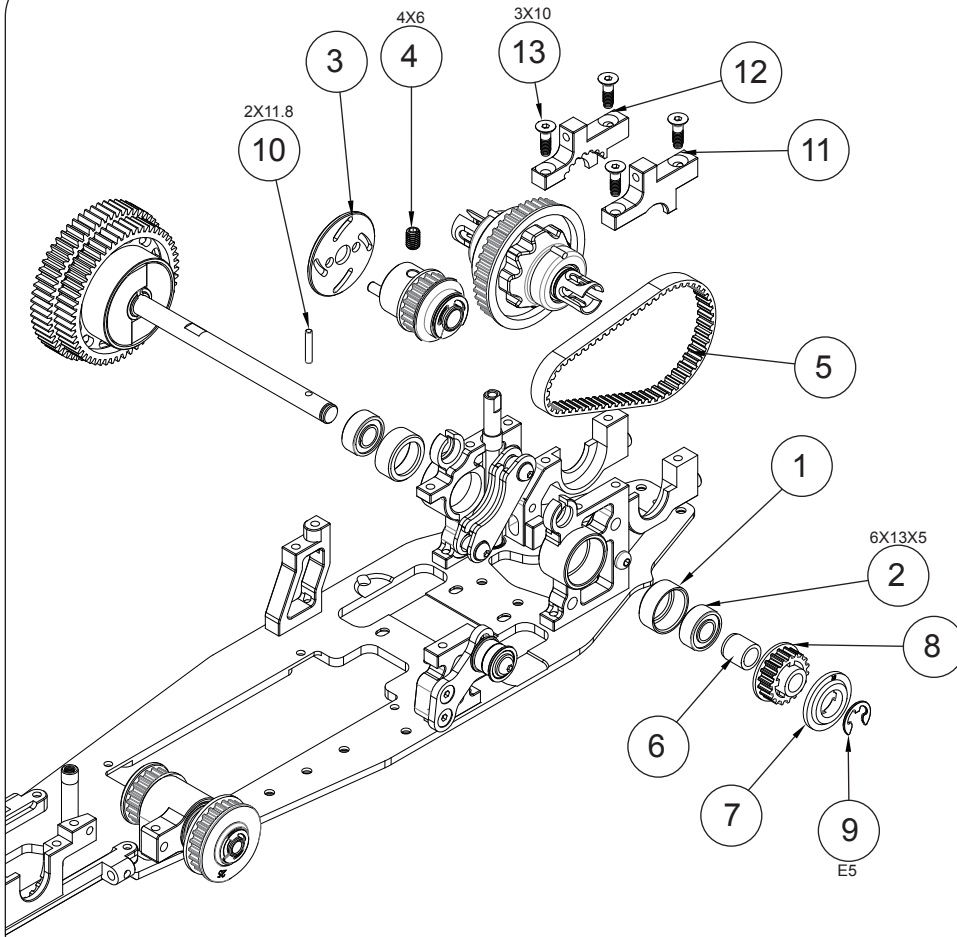


|   | Item No. |
|---|----------|
| 1 | PA7049   |
| 2 | PA7050   |
| 3 | PA7051   |

Bag C

Bag X

09

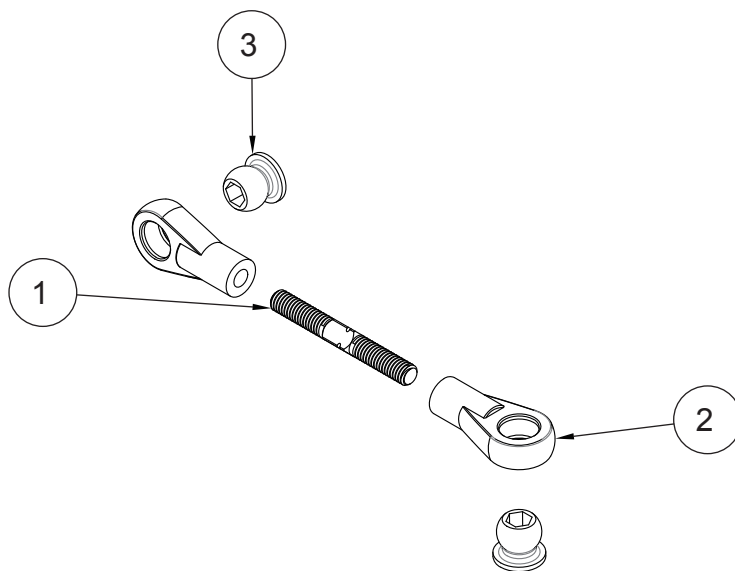


|    | Item No. |
|----|----------|
| 1  | PA7008   |
| 2  | PA7009   |
| 3  | PA7052   |
| 4  | PA0116   |
| 5  | PA7053   |
| 6  | PA7054   |
| 7  | PA7055   |
| 8  | PA7055   |
| 9  | PA7013   |
| 10 | PA7014   |
| 11 | PA7056   |
| 12 | PA7057   |
| 13 | PA7058   |

Bag D

Bag X

10

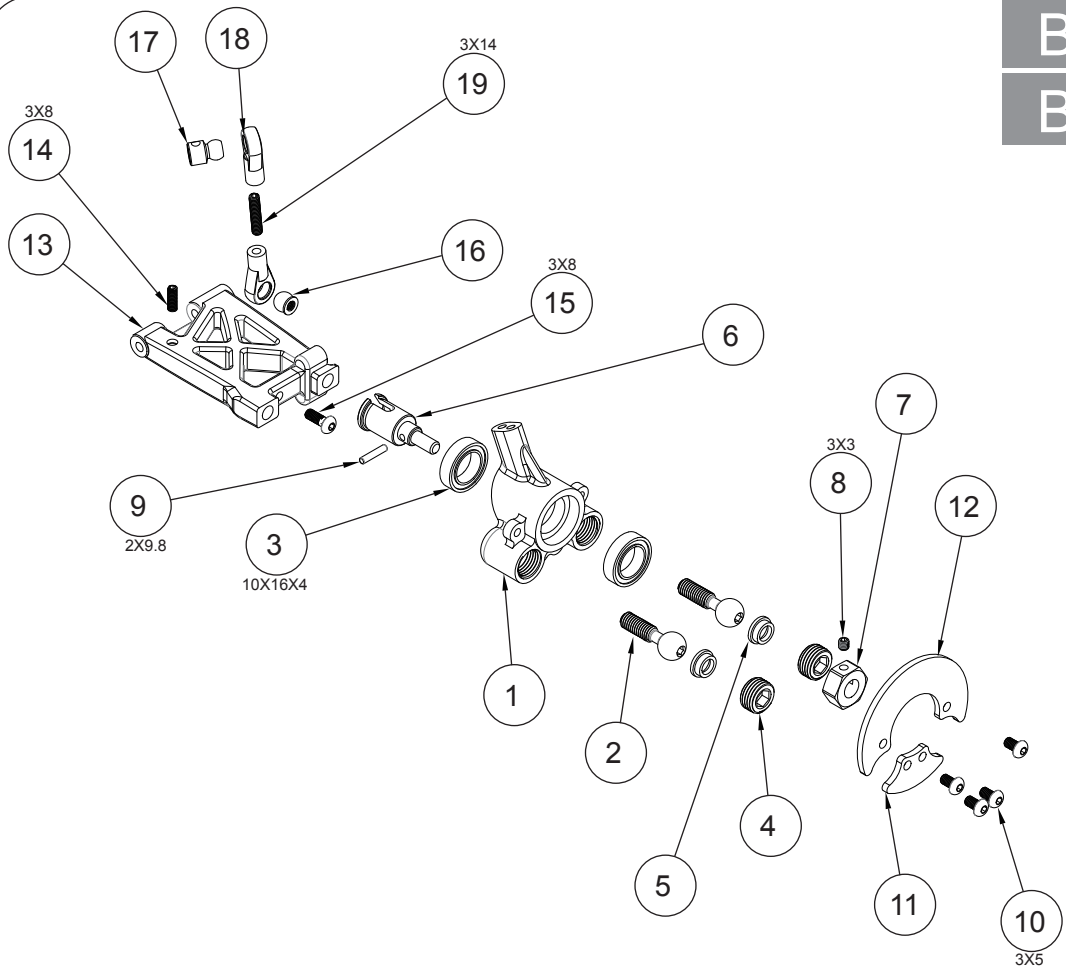


|   | Item No. |
|---|----------|
| 1 | PA7059   |
| 2 | PA0197   |
| 3 | PA0215   |

Bag D

Bag X

10

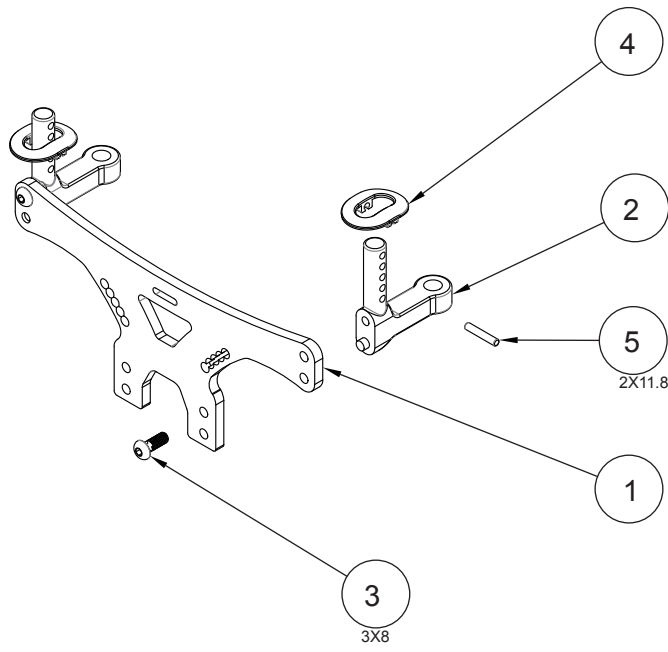


|    | Item No. |
|----|----------|
| 1  | PA7060   |
| 2  | PA7061   |
| 3  | PA7035   |
| 4  | PA0110   |
| 5  | PA0109   |
| 6  | PA7063   |
| 7  | PA7064   |
| 8  | PA0075   |
| 9  | PA7034   |
| 10 | PA7065   |
| 11 | PA7066   |
| 12 | PA7066   |
| 13 | PA7067   |
| 14 | PA0181   |
| 15 | PA0135   |
| 16 | PA7068   |
| 17 | PA7069   |
| 18 | PA0197   |
| 19 | PA7070   |

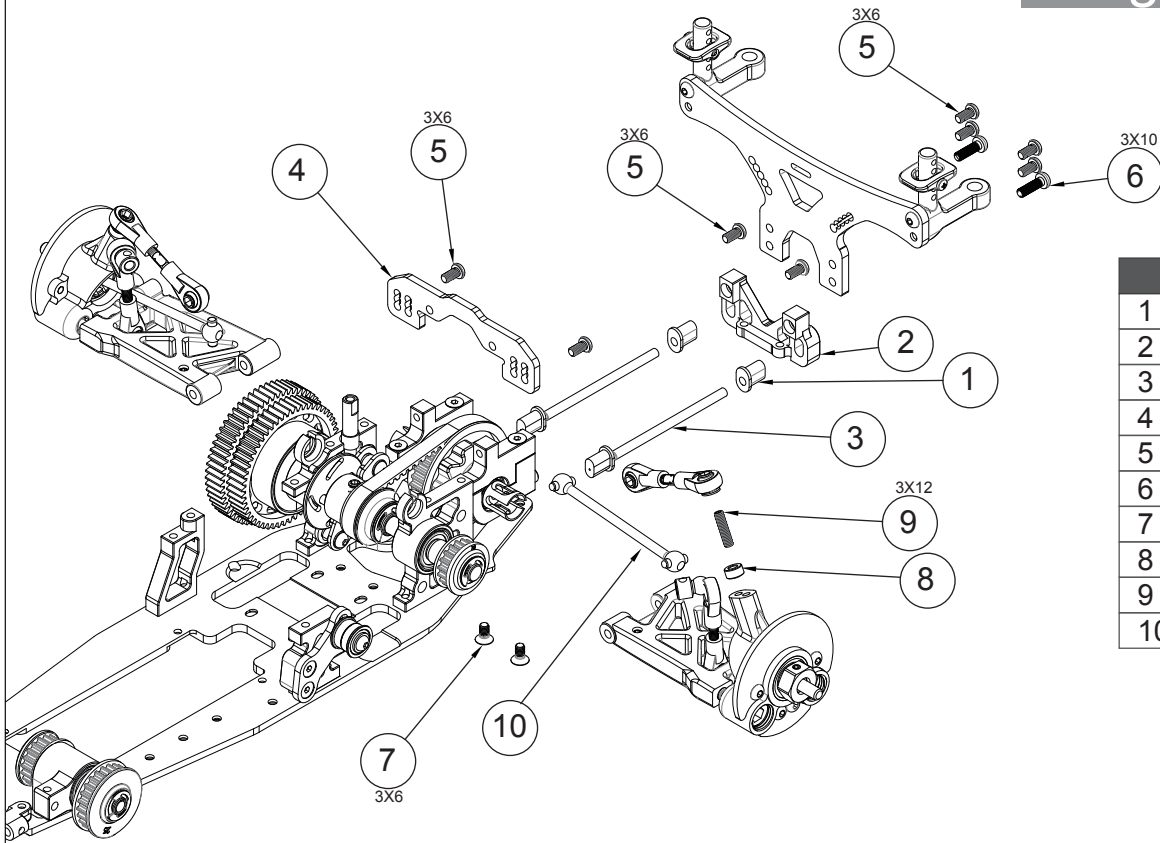
Bag E

Bag X

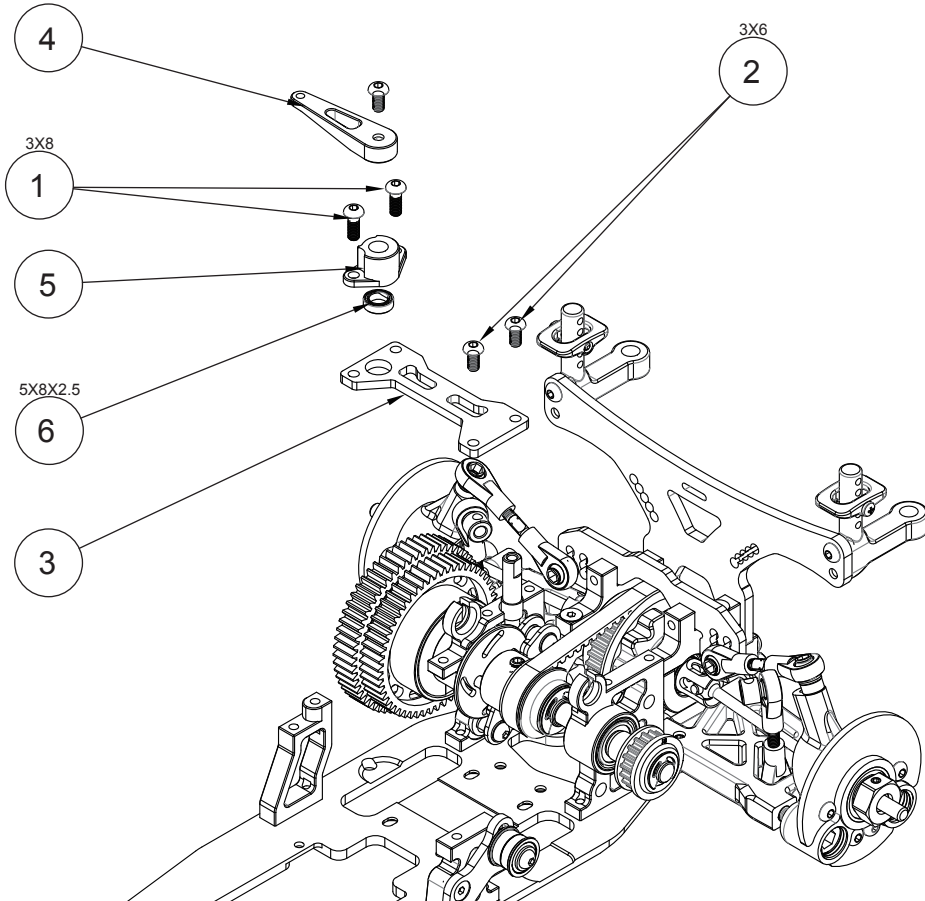
11



|   | Item No. |
|---|----------|
| 1 | PA7071   |
| 2 | PA7072   |
| 3 | PA0135   |
| 4 | PA7073   |
| 5 | PA7014   |



|    | Item No. |
|----|----------|
| 1  | PA7074   |
| 2  | PA7075   |
| 3  | PA7076   |
| 4  | PA7077   |
| 5  | PA0095   |
| 6  | PA0142   |
| 7  | PA0096   |
| 8  | PA7078   |
| 9  | PA0212   |
| 10 | PA7079   |



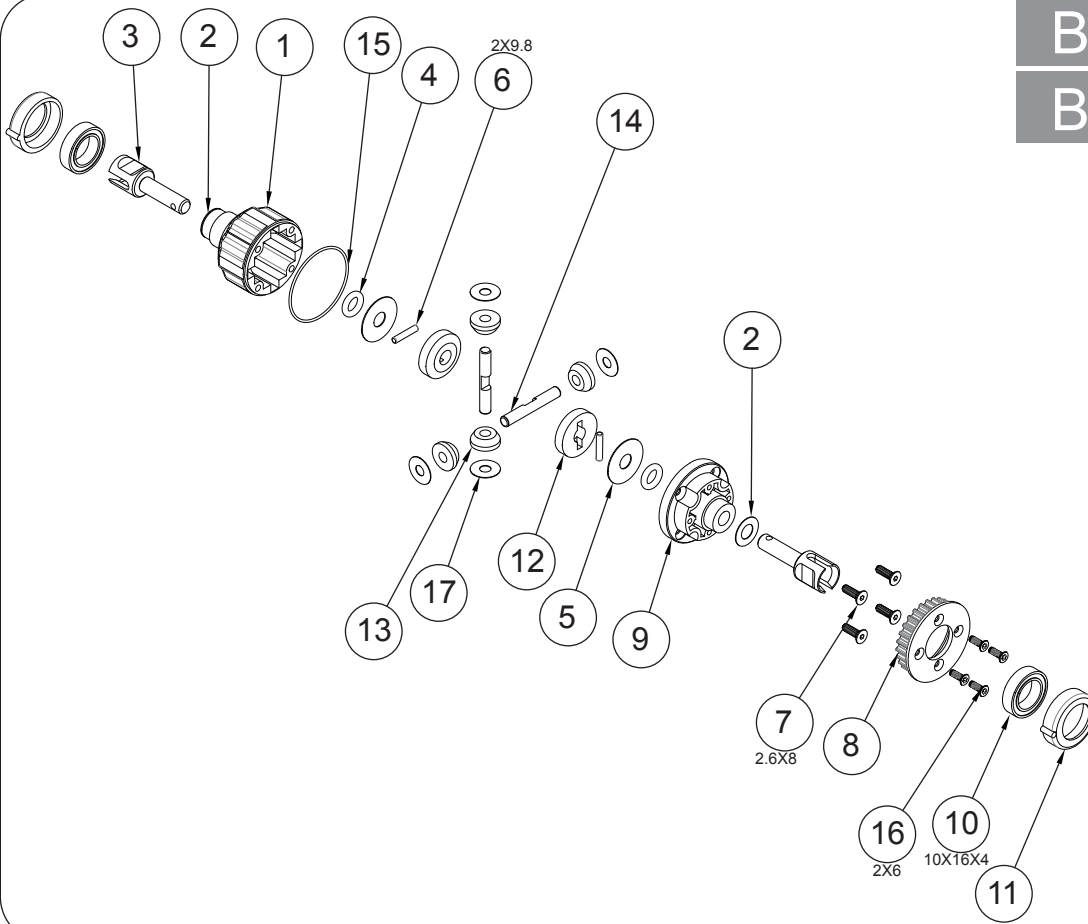
|   | Item No. |
|---|----------|
| 1 | PA0135   |
| 2 | PA0095   |
| 3 | PA7080   |
| 4 | PA7081   |
| 5 | PA7082   |
| 6 | PA0087   |



Bag F

Bag X

13

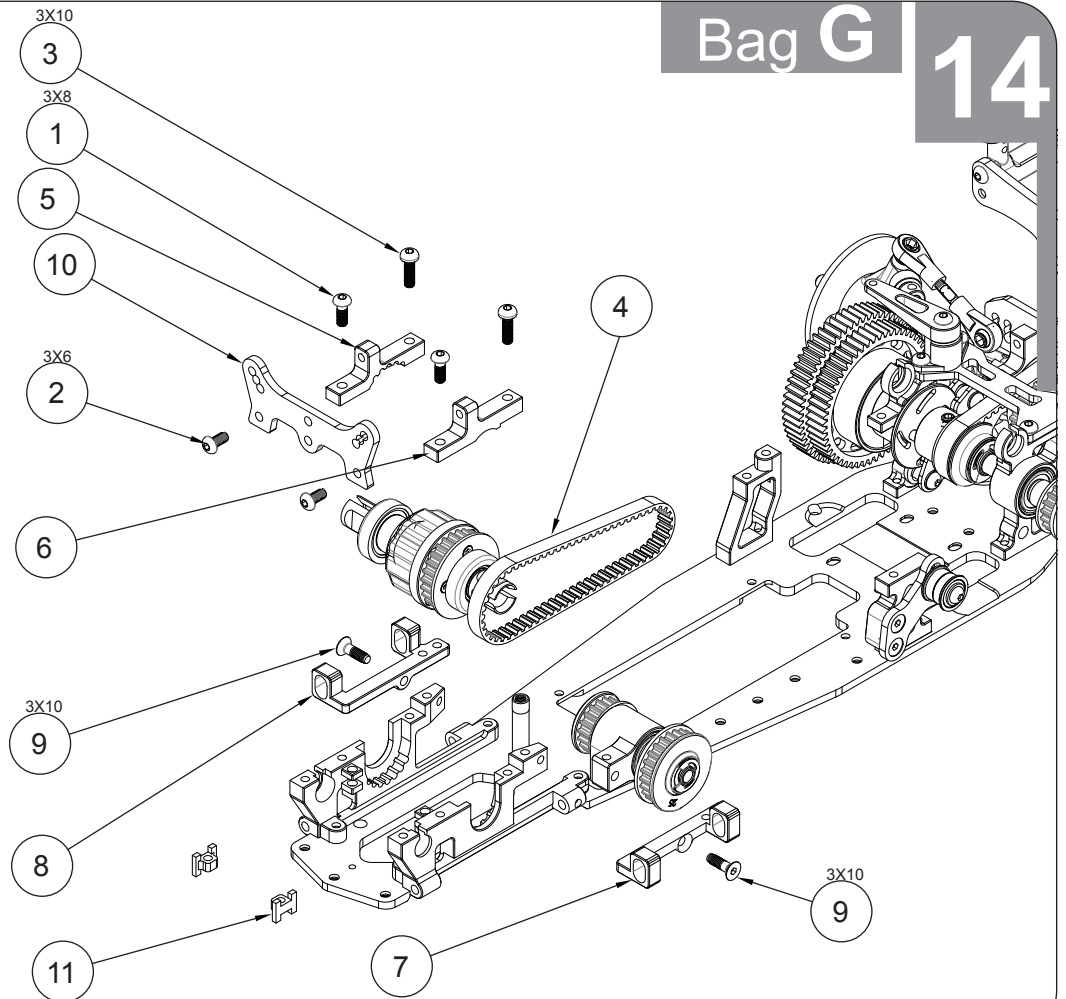


|    | Item No. |
|----|----------|
| 1  | PA7083   |
| 2  | PA0251   |
| 3  | PA7084   |
| 4  | PA0206   |
| 5  | PA7033   |
| 6  | PA7034   |
| 7  | PA7040   |
| 8  | PA7085   |
| 9  | PA7083   |
| 10 | PA7035   |
| 11 | PA7036   |
| 12 | PA7038   |
| 13 | PA7038   |
| 14 | PA7039   |
| 15 | PA7086   |
| 16 | PA7040   |
| 17 | PA7037   |

Bag G

14

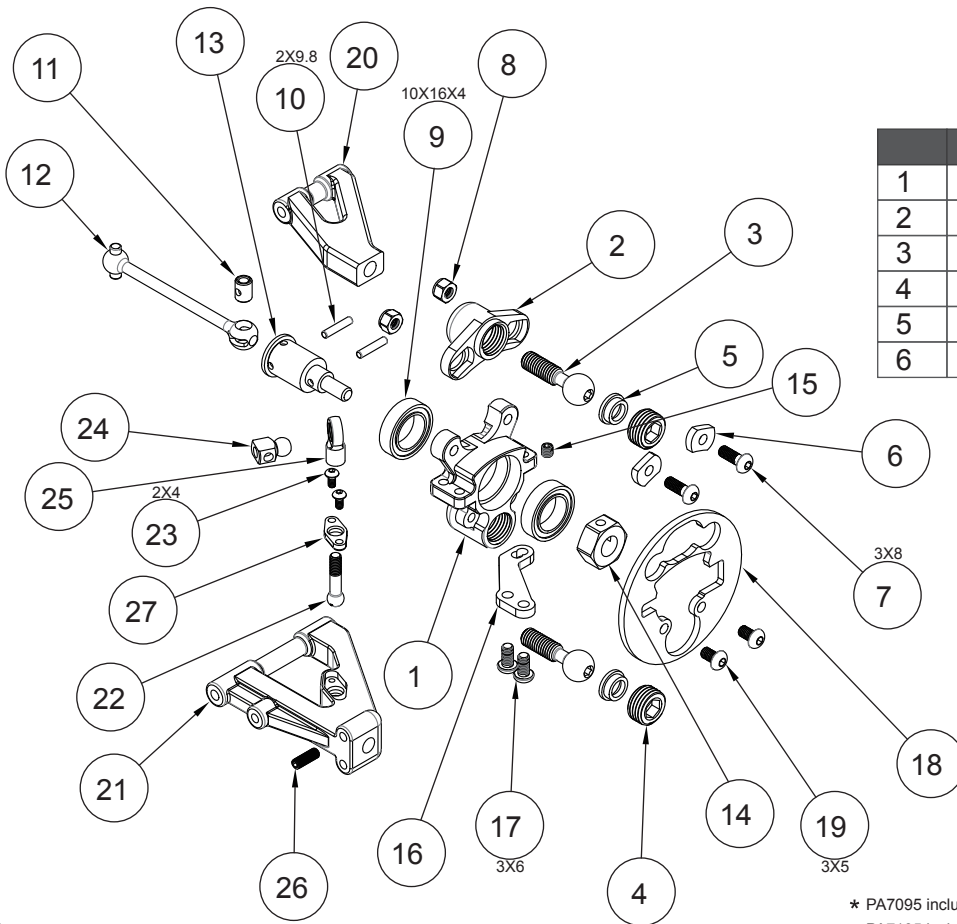
|    | Item No. |
|----|----------|
| 1  | PA0135   |
| 2  | PA0095   |
| 3  | PA0142   |
| 4  | PA7088   |
| 5  | PA7089   |
| 6  | PA7090   |
| 7  | PA7091   |
| 8  | PA7092   |
| 9  | PA7058   |
| 10 | PA7093   |
| 11 | PA7094   |



Bag H

Bag X

15



| Item No. | Item No. |
|----------|----------|
| 1        | PA7095   |
| 2        | PA7096   |
| 3        | PA7061   |
| 4        | PA0110   |
| 5        | PA0109   |
| 6        | PA7097   |

| Item No. | Item No. |
|----------|----------|
| 7        | PA0135   |
| 8        | PA7098   |
| 9        | PA7035   |
| 10       | PA7034   |
| 11       | PA7099   |
| 12       | PA7100   |
| 13       | PA7101   |
| 14       | PA7064   |
| 15       | PA0075   |
| 16       | PA7102   |
| 17       | PA0095   |
| 18       | PA7103   |
| 19       | PA7065   |
| 20       | PA7104   |
| 21       | PA7105   |
| 22       | PA7106   |
| 23       | PA7107   |
| 24       | PA7108   |
| 25       | PA7109   |
| 26       | PA7062   |
| 27       | PA7110   |

\* PA7095 include PA7096

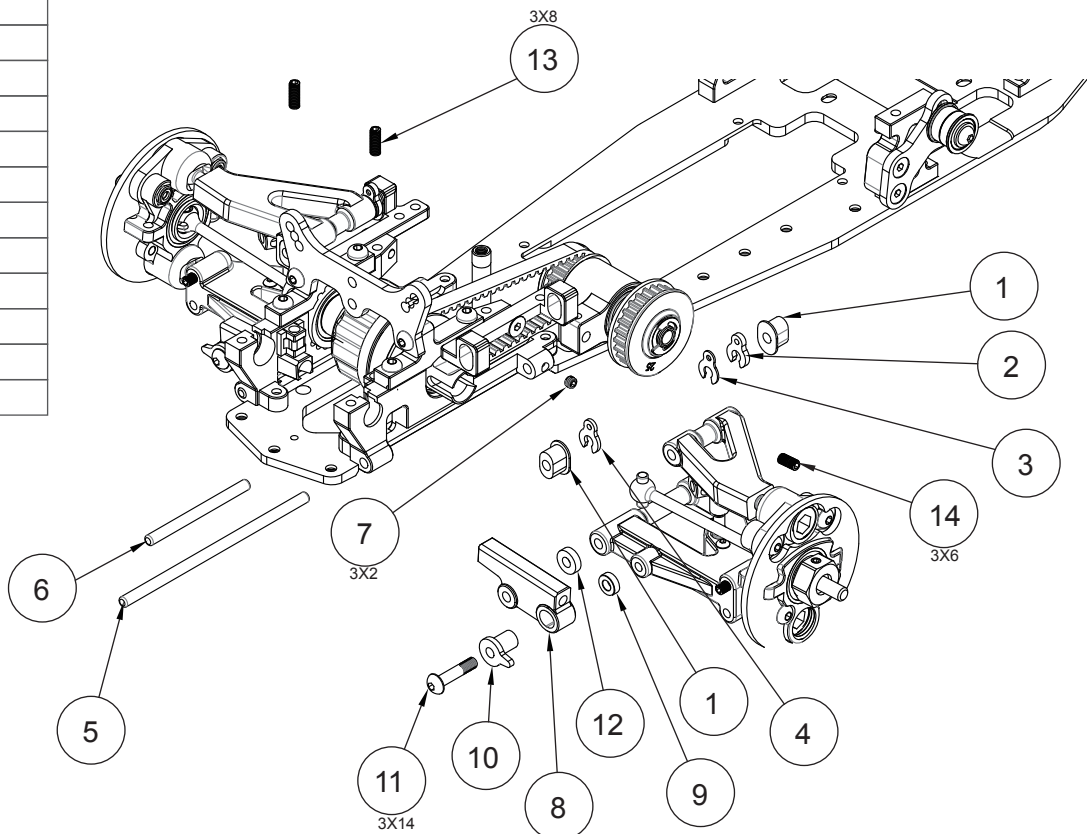
\* PA7105 include PA7110 and PA7117

Bag I

Bag X

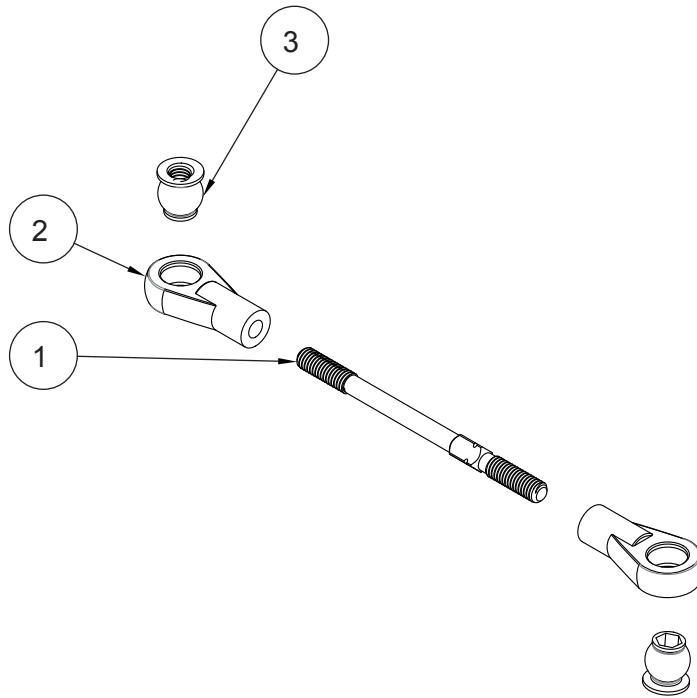
16

| Item No. | Item No. |
|----------|----------|
| 1        | PA7111   |
| 2        | PA7112   |
| 3        | PA7112   |
| 4        | PA7112   |
| 5        | PA7113   |
| 6        | PA7114   |
| 7        | PA7115   |
| 8        | PA7116   |
| 9        | PA7117   |
| 10       | PA7118   |
| 11       | PA7119   |
| 12       | PA7120   |
| 13       | PA0181   |
| 14       | PA7145   |



Bag I  
Bag X

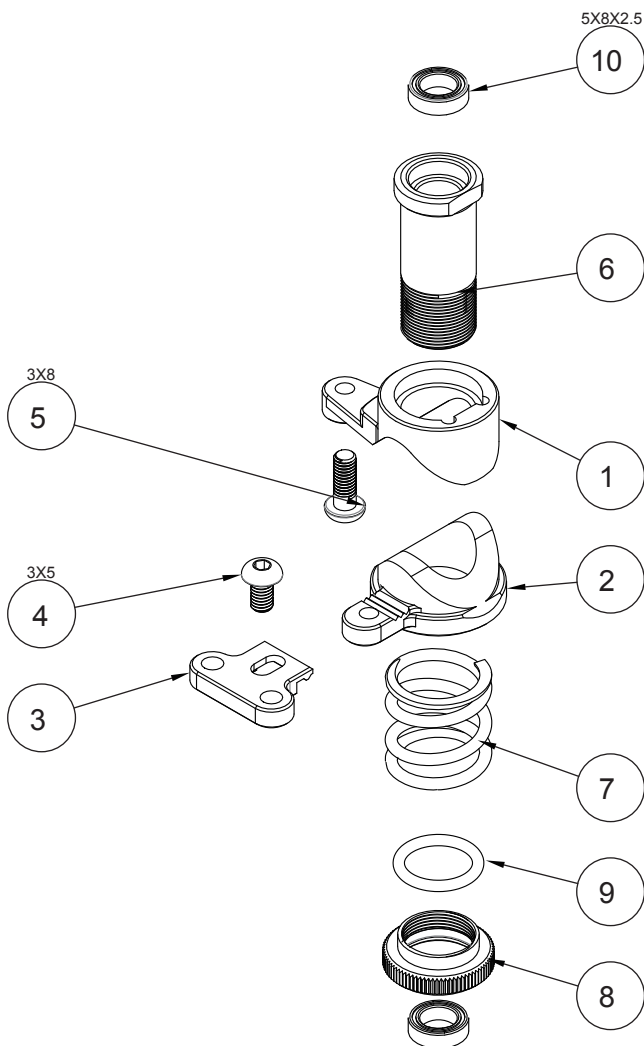
17



|   | Item No. |
|---|----------|
| 1 | PA7121   |
| 2 | PA0197   |
| 3 | PA0215   |

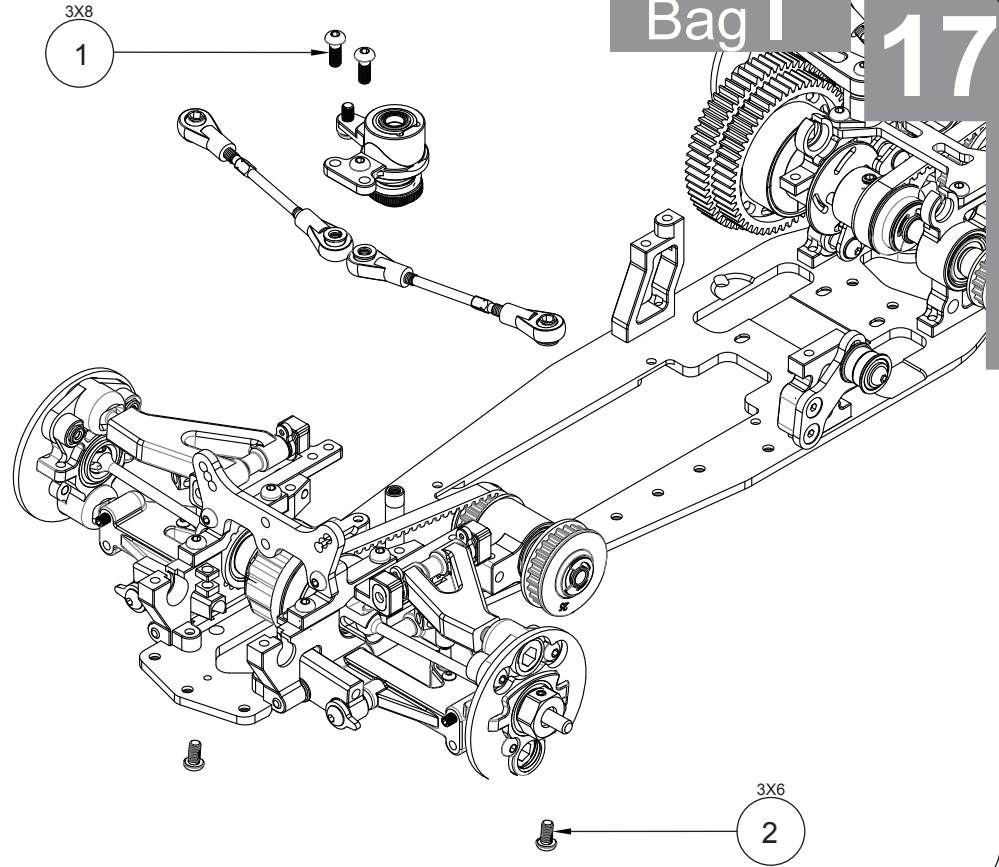
Bag I

17



|    | Item No. |
|----|----------|
| 1  | PA7122   |
| 2  | PA7123   |
| 3  | PA7123   |
| 4  | PA7065   |
| 5  | PA0135   |
| 6  | PA7124   |
| 7  | PA7125   |
| 8  | PA7124   |
| 9  | PA0092   |
| 10 | PA0087   |

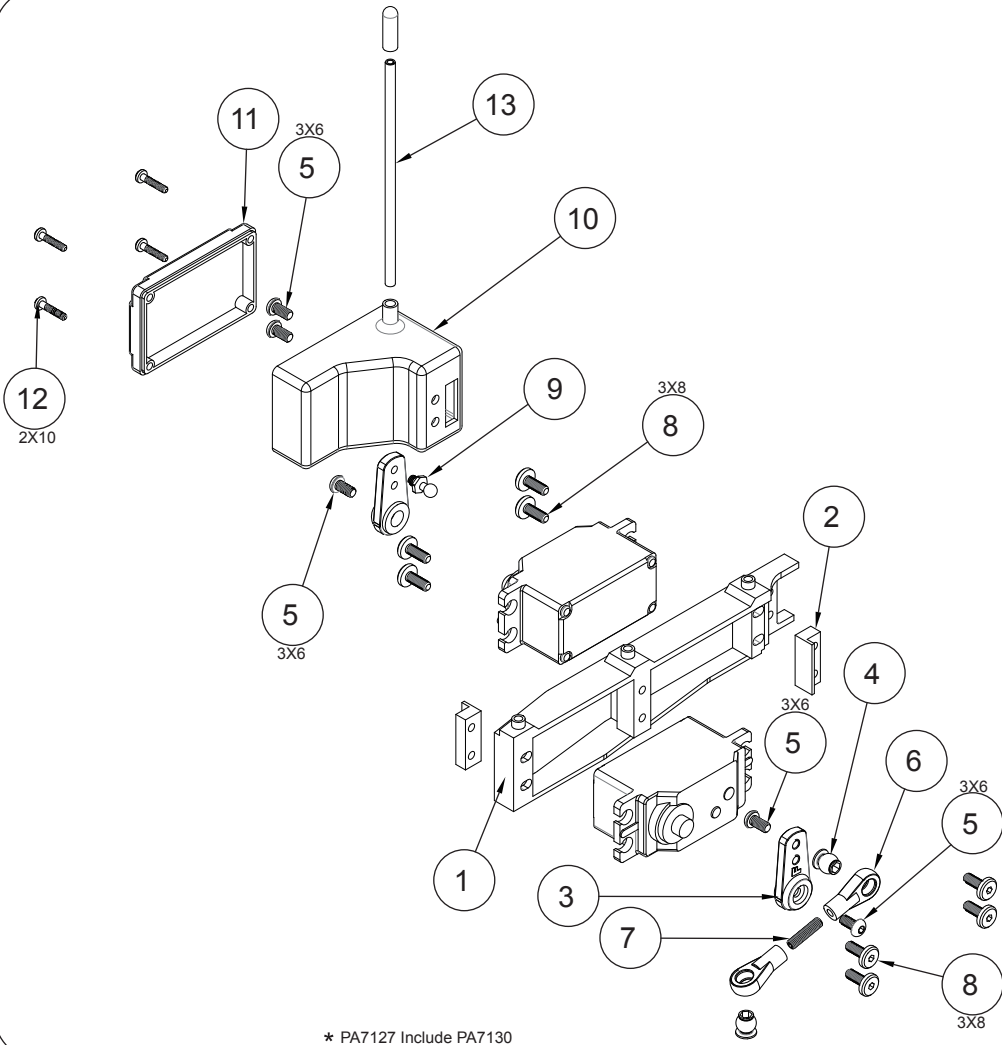
| Item No. |        |
|----------|--------|
| 1        | PA0135 |
| 2        | PA0095 |



Bag I 17

Bag K  
Bag X 18

| Item No. |        |
|----------|--------|
| 1        | PA7127 |
| 2        | PA7128 |
| 3        | PA0214 |
| 4        | PA0215 |
| 5        | PA0095 |
| 6        | PA0197 |
| 7        | PA0212 |
| 8        | PA0135 |
| 9        | PA7129 |
| 10       | PA7130 |
| 11       | PA7130 |
| 12       | PA7131 |
| 13       | PA0239 |

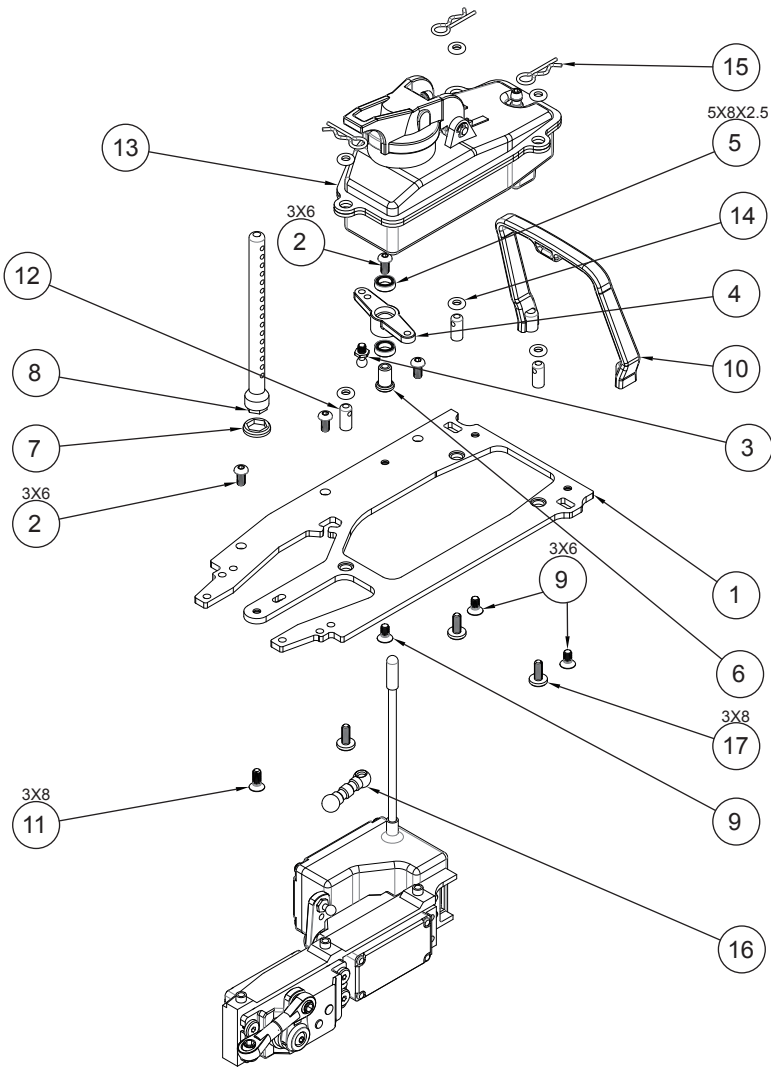


\* PA7127 Include PA7130

Bag K

Bag X

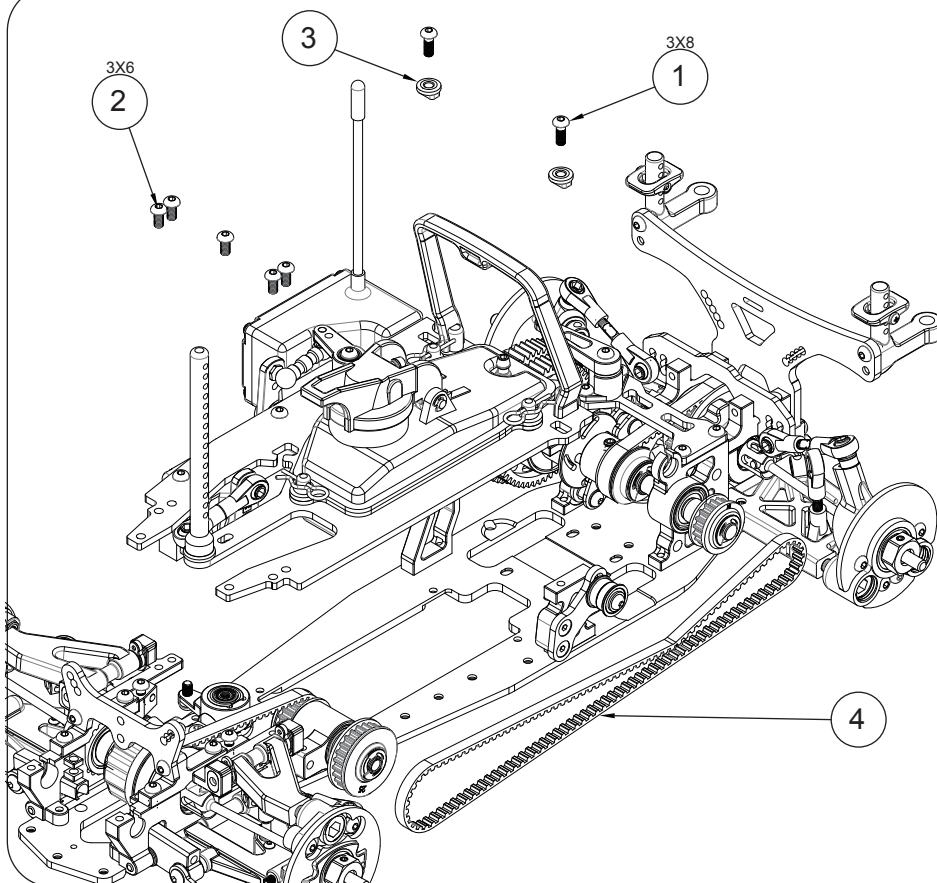
19



|    | Item No. |
|----|----------|
| 1  | PA7132   |
| 2  | PA0095   |
| 3  | PA7129   |
| 4  | PA7133   |
| 5  | PA0087   |
| 6  | PA7134   |
| 7  | PA7135   |
| 8  | PA7135   |
| 9  | PA0096   |
| 10 | PA7136   |
| 11 | PA0086   |
| 12 | PA7137   |
| 13 | PA7126   |
| 14 | PA0039   |
| 15 | PA0207   |
| 16 | PA7168   |
| 17 | PA7129   |

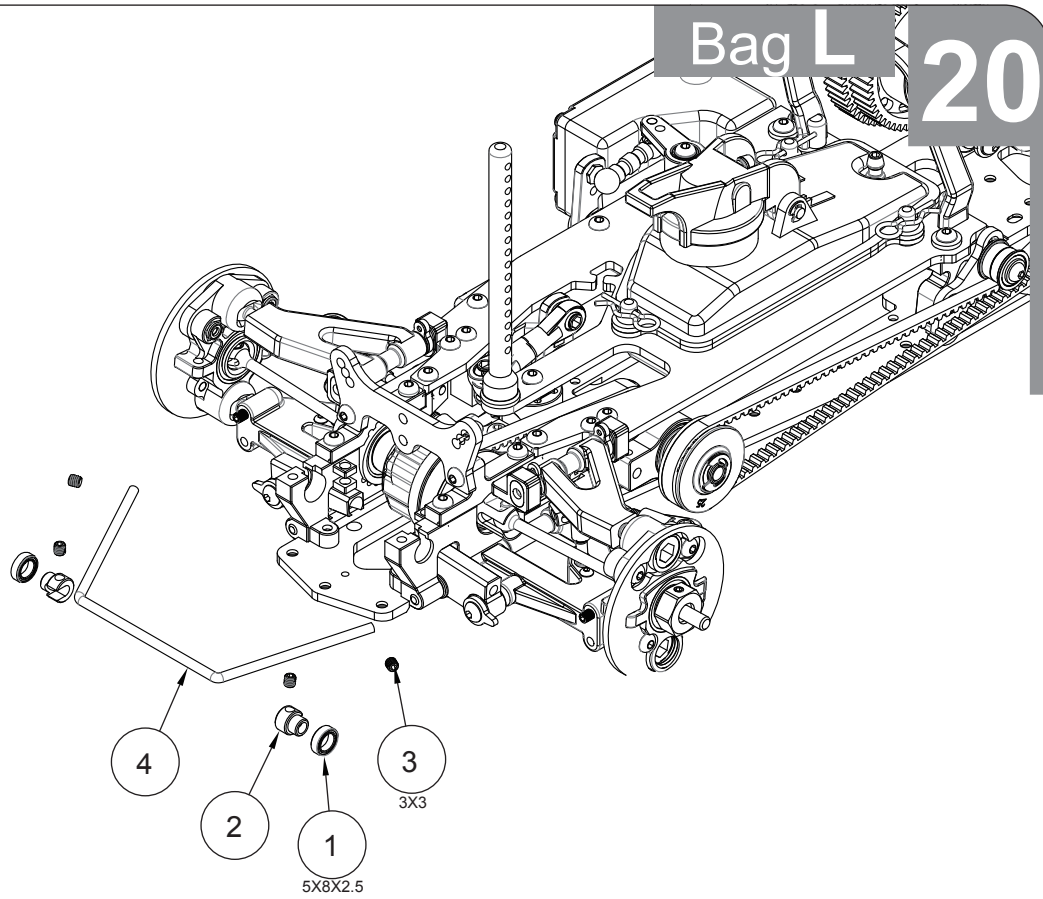
Bag K

19

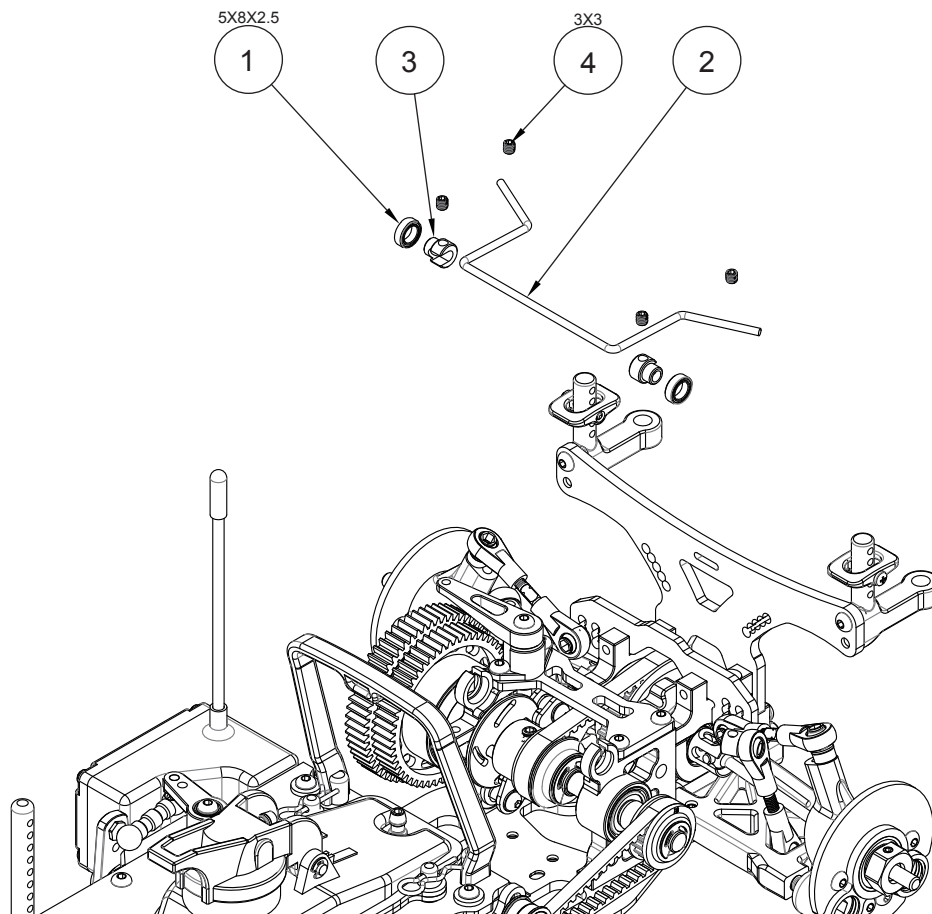


|   | Item No. |
|---|----------|
| 1 | PA0135   |
| 2 | PA0095   |
| 3 | PA7138   |
| 4 | PA7139   |

|   | Item No. |
|---|----------|
| 1 | PA0087   |
| 2 | PA7140   |
| 3 | PA0075   |
| 4 | PA7141   |



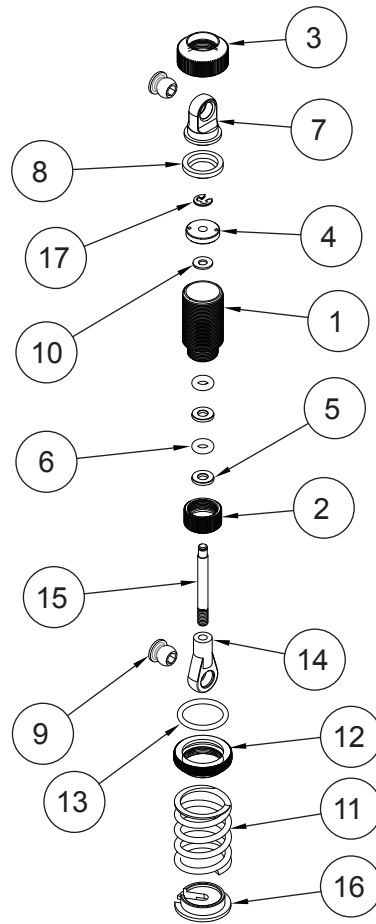
|   | Item No. |
|---|----------|
| 1 | PA0087   |
| 2 | PA7142   |
| 3 | PA7140   |
| 4 | PA0075   |



Bag M

Bag X

21

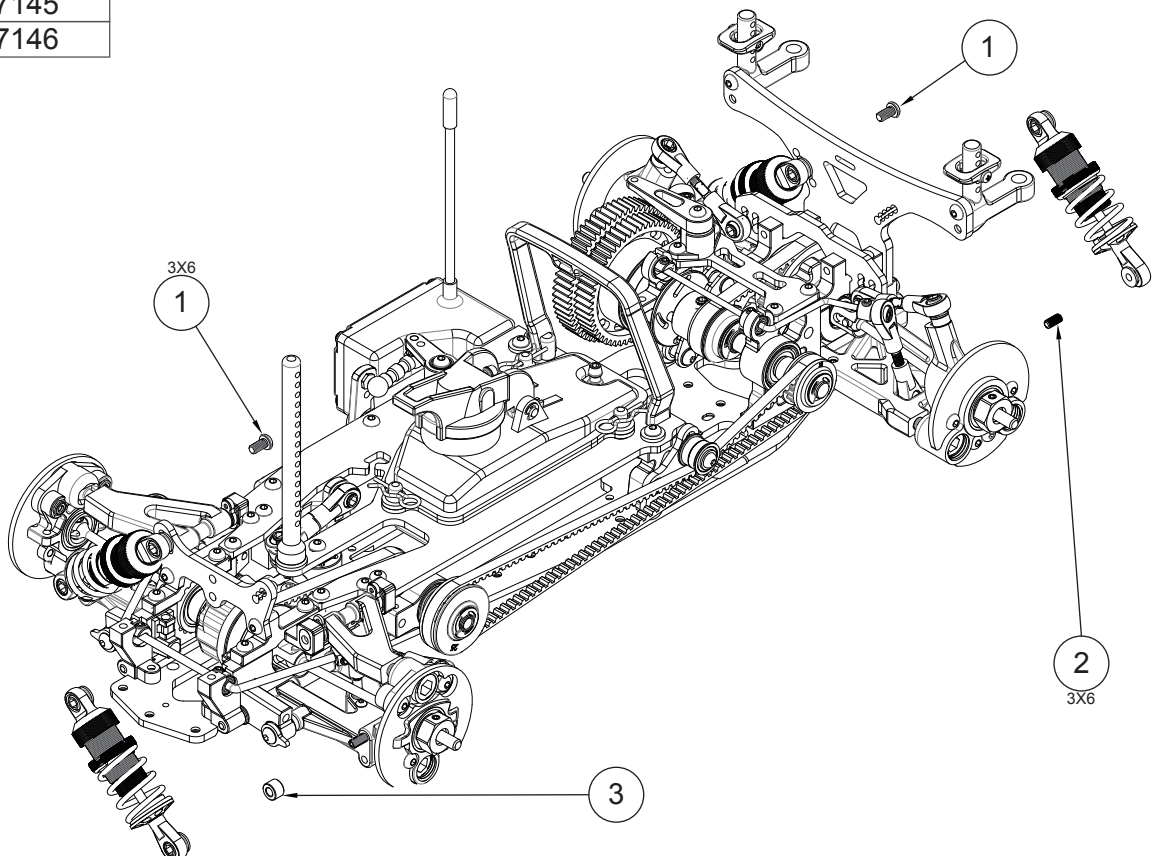


|    | Item No. |
|----|----------|
| 1  | PA0037   |
| 2  | PA0041   |
| 3  | PA0031   |
| 4  | PA0035   |
| 5  | PA0040   |
| 6  | PA0039   |
| 7  | PA0032   |
| 8  | PA0033   |
| 9  | PA0215   |
| 10 | PA0036   |
| 11 | PA0045   |
| 12 | PA0044   |
| 13 | PA0043   |
| 14 | PA0197   |
| 15 | PA7143   |
| 16 | PA0046   |
| 17 | PA7144   |

Bag M

21

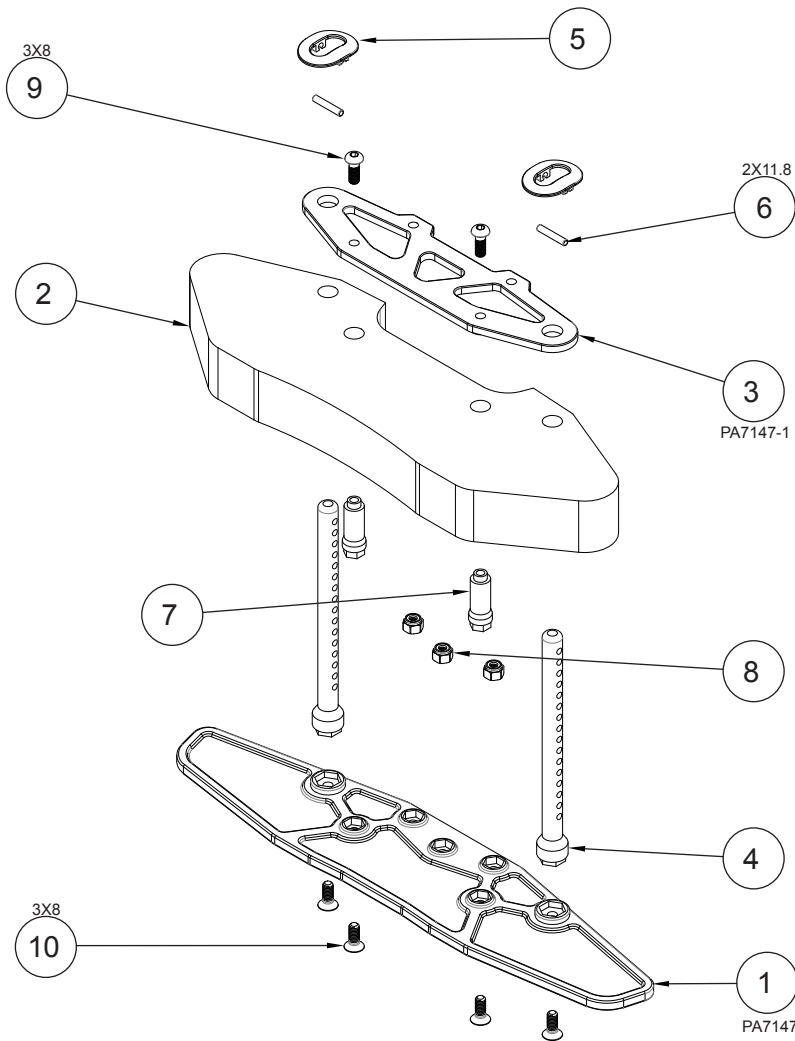
|   | Item No. |
|---|----------|
| 1 | PA0095   |
| 2 | PA7145   |
| 3 | PA7146   |



Bag N

Bag X

22

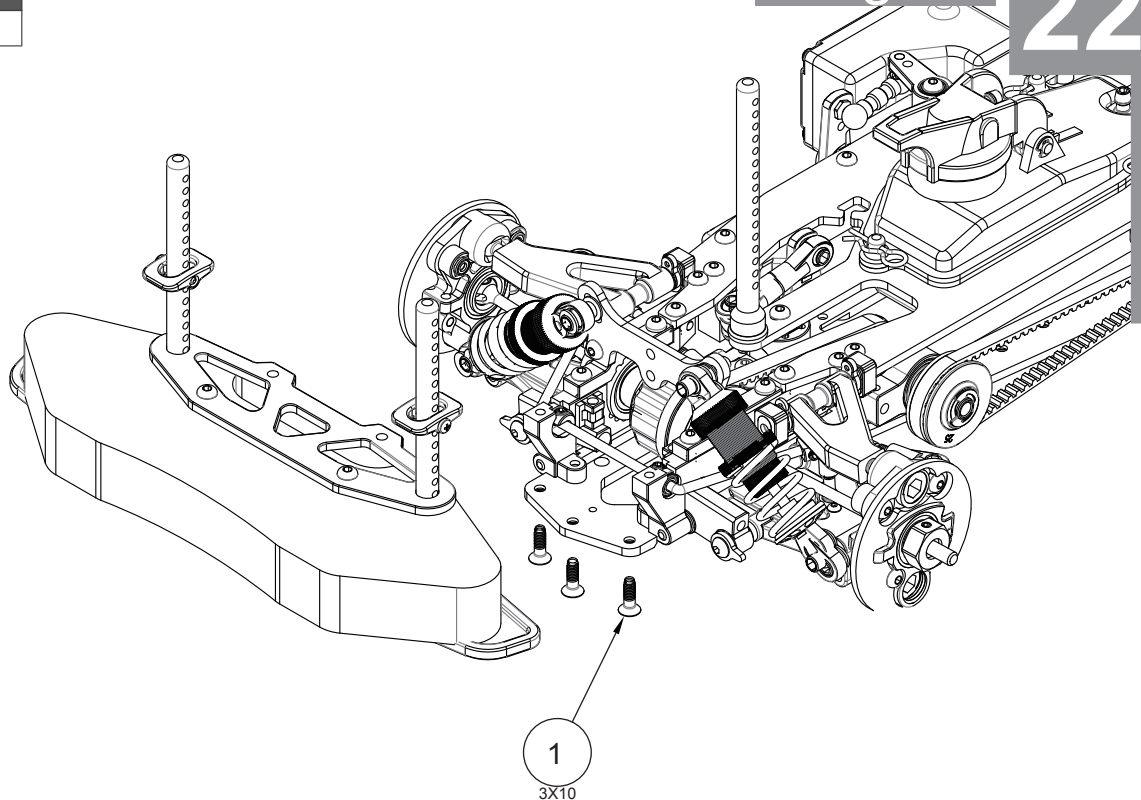


|    | Item No. |
|----|----------|
| 1  | PA7147   |
| 2  | PA7148   |
| 3  | PA7147   |
| 4  | PA7149   |
| 5  | PA7073   |
| 6  | PA7014   |
| 7  | PA7047   |
| 8  | PA7098   |
| 9  | PA0135   |
| 10 | PA0086   |

|   | Item No. |
|---|----------|
| 1 | PA7058   |

Bag N

22

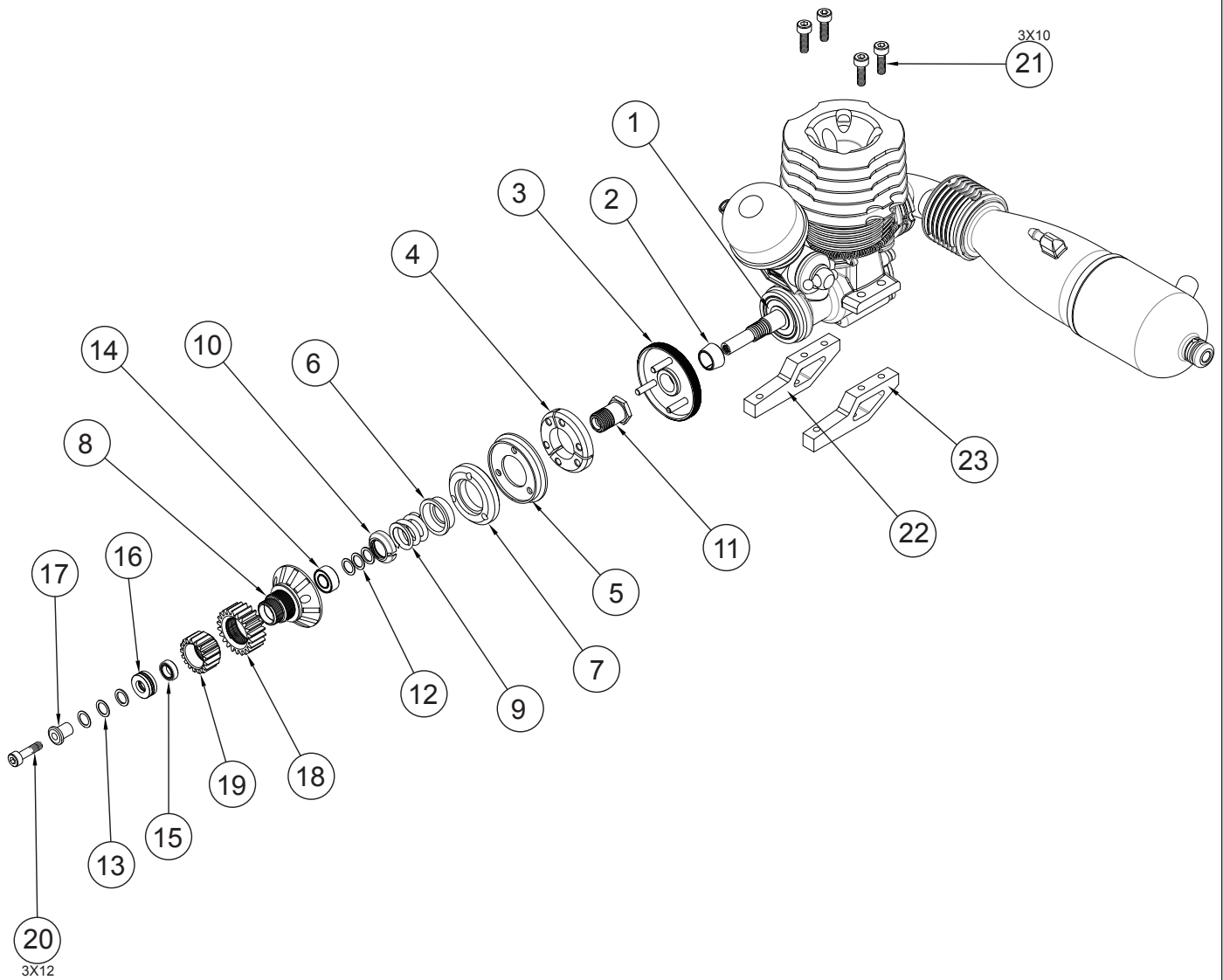




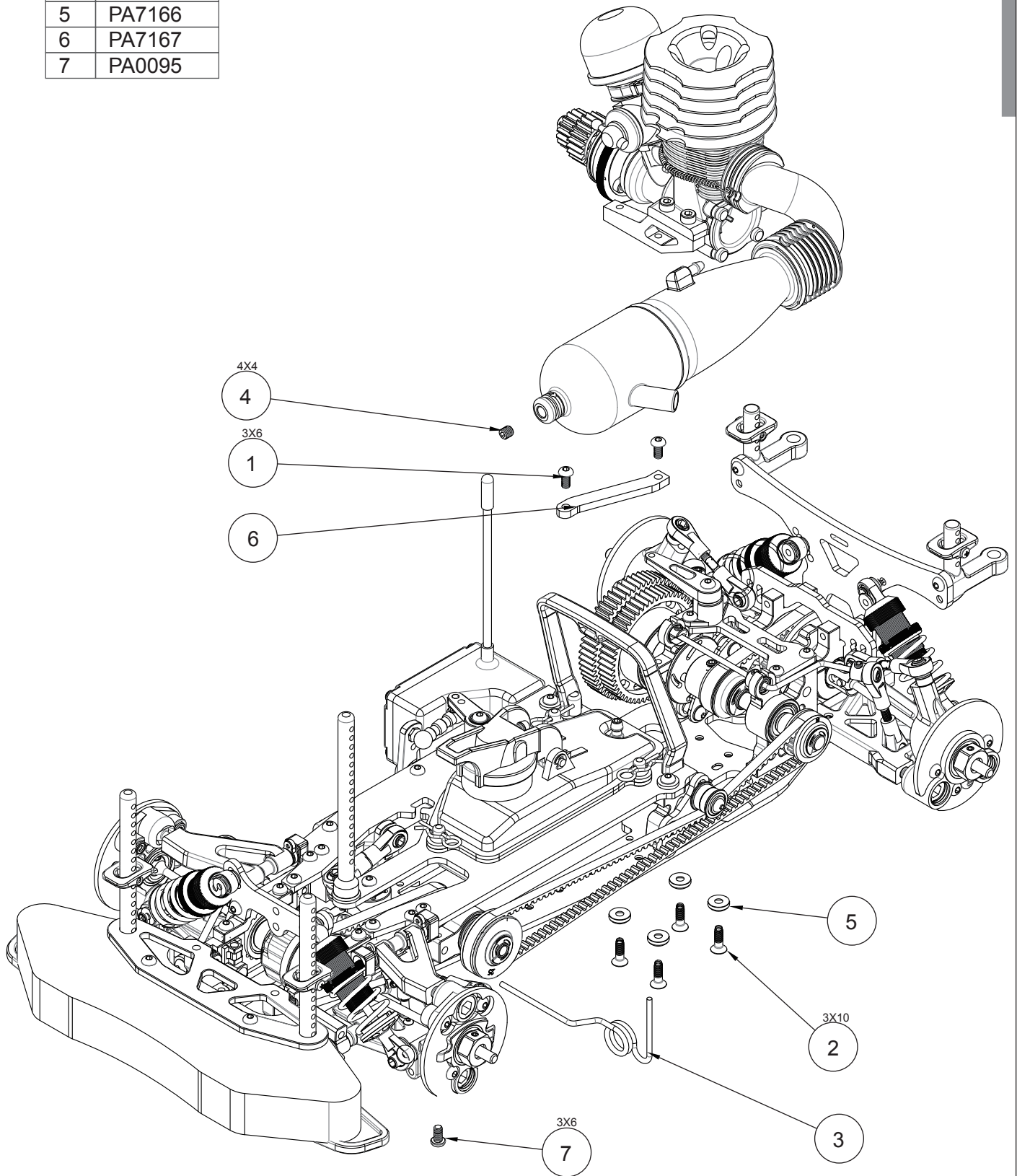
|    | Item No. |
|----|----------|
| 1  | PA7150   |
| 2  | PA7151   |
| 3  | PA7152   |
| 4  | PA7153   |
| 5  | PA7154   |
| 6  | PA7155   |
| 7  | PA7156   |
| 8  | PA7157   |
| 9  | PA0232P  |
| 10 | PA7158   |

|    | Item No. |
|----|----------|
| 11 | PA7159   |
| 12 | PA0251   |
| 13 | PA0252   |
| 14 | PA0100   |
| 15 | PA0087   |
| 16 | PA0237   |
| 17 | PA7160   |
| 18 | PA7161   |
| 19 | PA7162   |
| 20 | PA7163   |

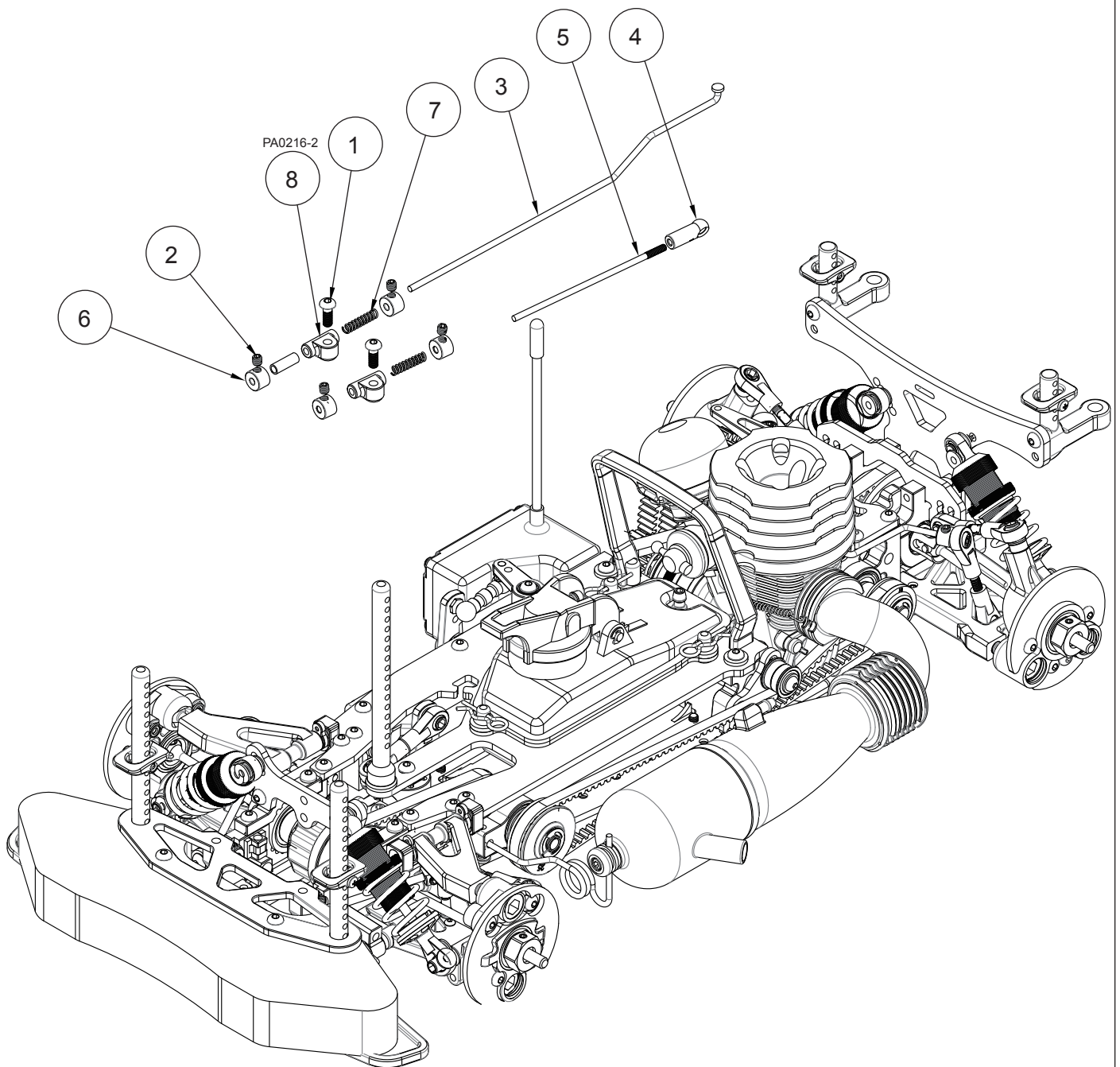
|    | Item No. |
|----|----------|
| 21 | PA0241   |
| 22 | PA7164   |
| 23 | PA7164   |



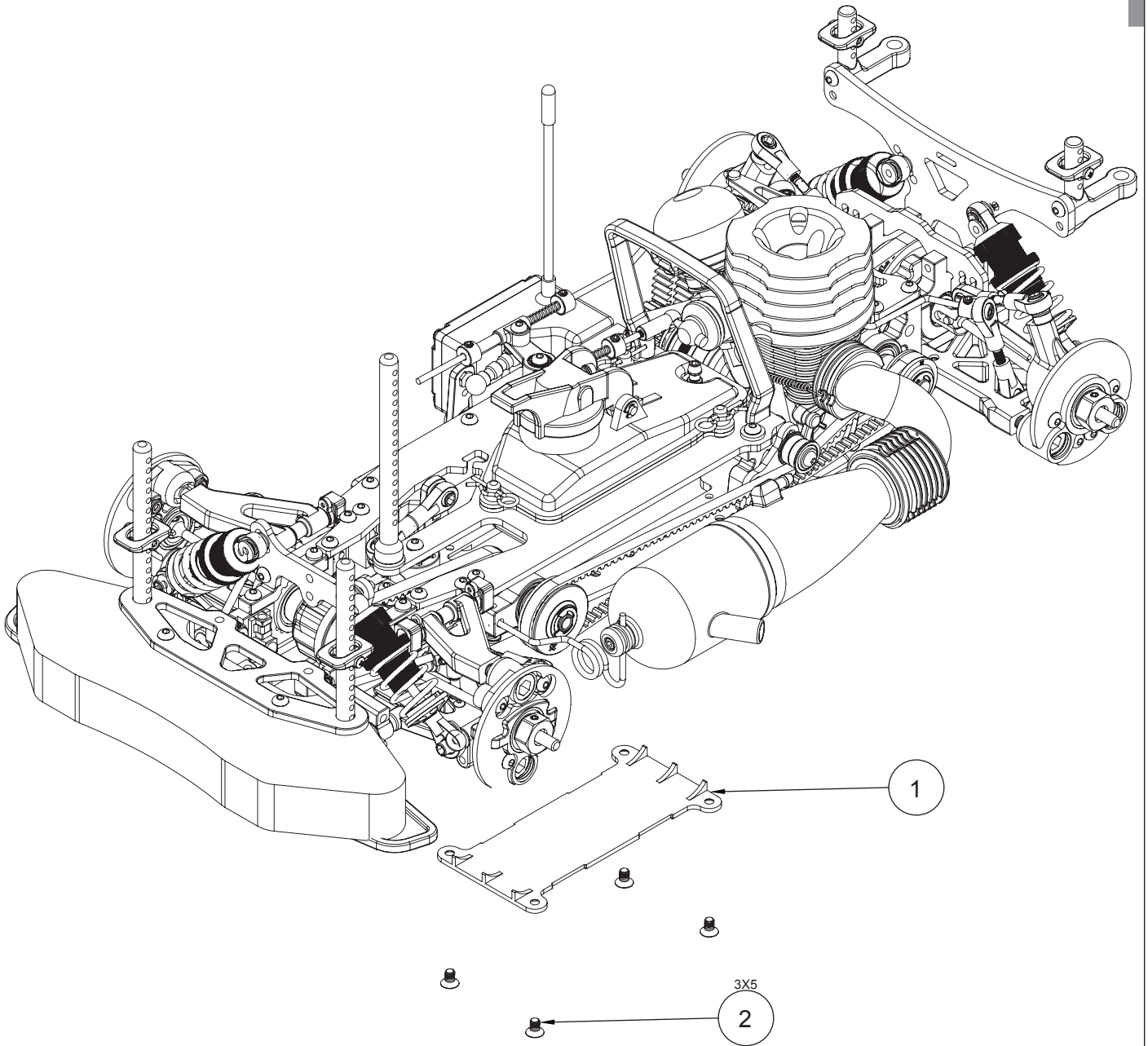
|   | Item No. |
|---|----------|
| 1 | PA0095   |
| 2 | PA7058   |
| 3 | PA7165   |
| 4 | PA0068   |
| 5 | PA7166   |
| 6 | PA7167   |
| 7 | PA0095   |



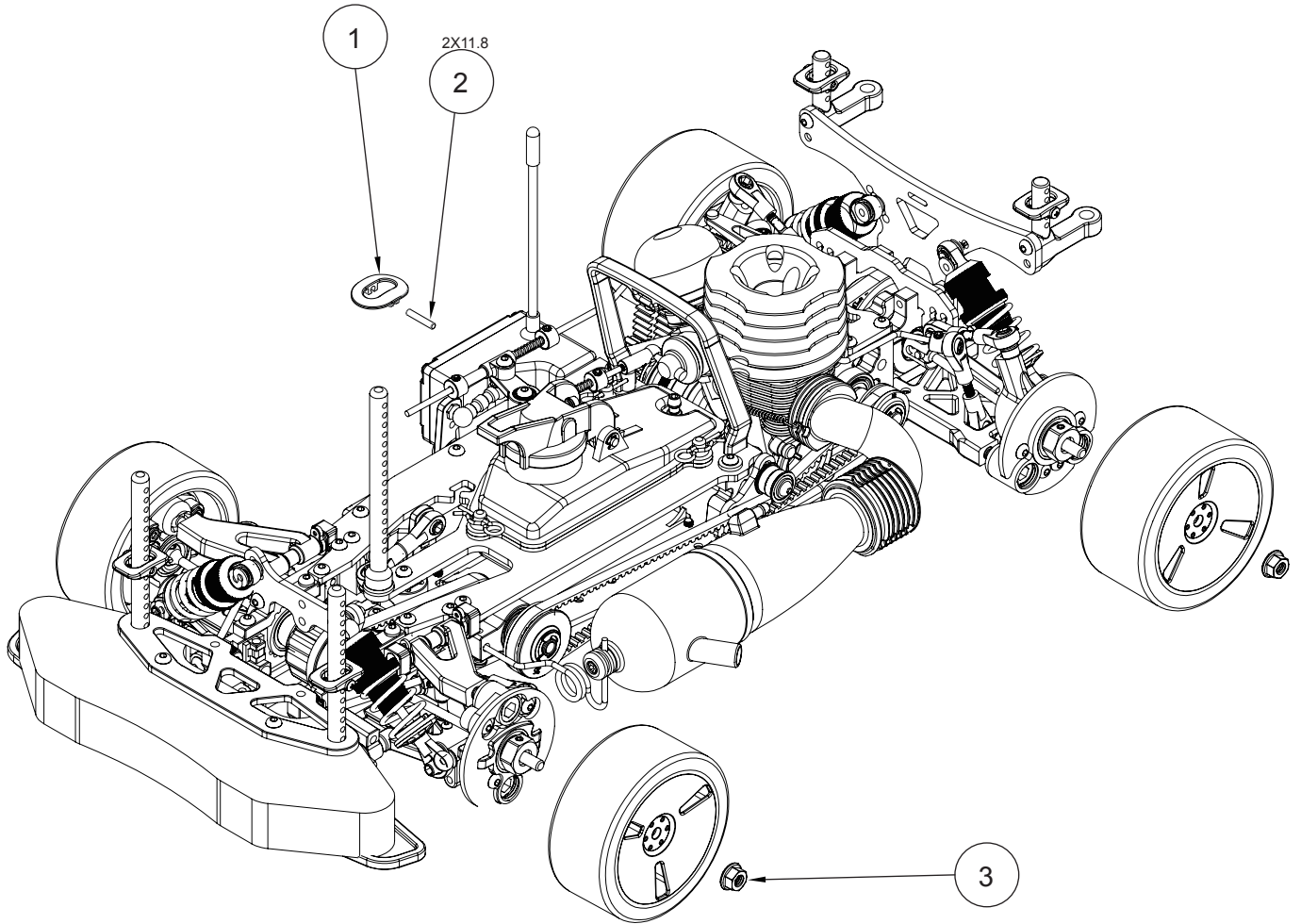
|   | Item No. |
|---|----------|
| 1 | PA0135   |
| 2 | PA0075   |
| 3 | PA0217   |
| 4 | PA0220   |
| 5 | PA0217   |
| 6 | PA0218   |
| 7 | PA0219   |
| 8 | PA0216   |



|   | Item No. |
|---|----------|
| 1 | PA0170   |
| 2 | PA0082   |



|   | Item No. |
|---|----------|
| 1 | PA7073   |
| 2 | PA7147   |
| 3 | PA7169   |



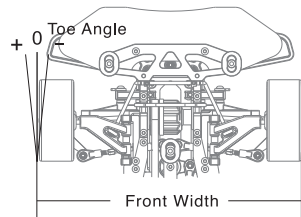
### TRACK CONDITIONS

Surface:  Smooth  Med.  Bumpy  
 Size:  Open  Med.  Tight  
 Traction:  High  Med.  Low

Track Temp/Air Temp: \_\_\_\_\_° / \_\_\_\_\_°

Note: \_\_\_\_\_  
 \_\_\_\_\_

### FRONT SUSPENSION



Track Width: \_\_\_\_\_ mm

Anti-Roll Bar: \_\_\_\_\_

Diff. Fluid: \_\_\_\_\_ wt  
 One Way  
 Solid Axle

Toe Angle: \_\_\_\_\_°

Front Camber: **L** \_\_\_\_\_° **R** \_\_\_\_\_°

Front Ride Height: \_\_\_\_\_ mm

Front Droop: \_\_\_\_\_ mm

► TIRE

Manufacture: \_\_\_\_\_

Shore: **L** \_\_\_\_\_° **R** \_\_\_\_\_°

Diameter(Start): **L/R** \_\_\_\_\_/\_\_\_\_ mm

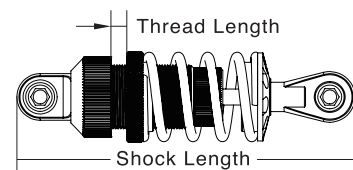
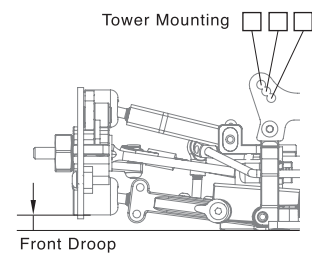
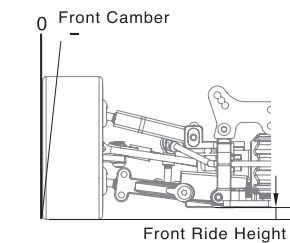
Diameter(Finish): **L/R** \_\_\_\_\_/\_\_\_\_ mm

► SHOCKS

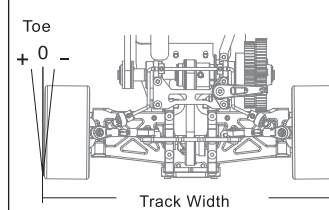
Oil: \_\_\_\_\_ wt

Piston: \_\_\_\_\_

Spring: \_\_\_\_\_



### REAR SUSPENSION



Track Width: \_\_\_\_\_ mm

Anti-Roll Bar: \_\_\_\_\_

Diff. Fluid: \_\_\_\_\_ wt  
 Solid Axle

Toe Angle: \_\_\_\_\_°

Rear Camber: **L** \_\_\_\_\_° **R** \_\_\_\_\_°

Rear Ride Height: \_\_\_\_\_ mm

Rear Droop: \_\_\_\_\_ mm

► TIRE

Manufacture: \_\_\_\_\_

Shore: **L** \_\_\_\_\_° **R** \_\_\_\_\_°

Diameter(Start): **L/R** \_\_\_\_\_/\_\_\_\_ mm

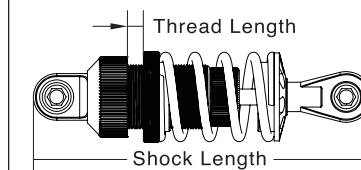
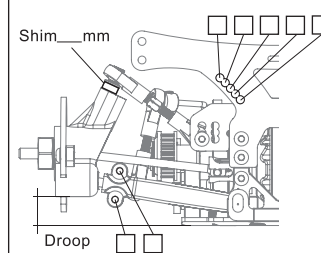
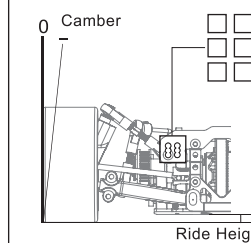
Diameter(Finish): **L/R** \_\_\_\_\_/\_\_\_\_ mm

► SHOCKS

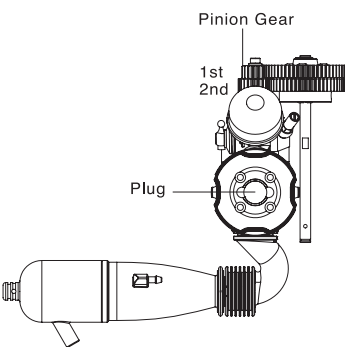
Oil: \_\_\_\_\_ wt

Piston: \_\_\_\_\_

Spring: \_\_\_\_\_



### ENGINE



Gear Ratio: 1st \_\_\_T / \_\_\_T

2nd \_\_\_T / \_\_\_T

Clutch Set Type:

3 Shoe  Push Type

Clutch Spring: \_\_\_\_\_

Clutch Shoe: \_\_\_\_\_

Clearance: \_\_\_\_\_ mm

Engine: \_\_\_\_\_

Head Shim: \_\_\_\_\_ mm

Plug: \_\_\_\_\_

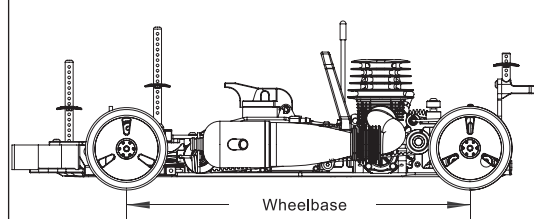
Fuel: \_\_\_\_\_

Muffer: \_\_\_\_\_

Carb Dia: \_\_\_\_\_ mm

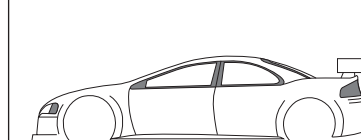
Note: \_\_\_\_\_  
 \_\_\_\_\_  
 \_\_\_\_\_

### WHEELBASE



- 256 mm
- 257 mm
- 258 mm
- 259 mm
- 260 mm

### BODY



Body: \_\_\_\_\_

Wing Height: \_\_\_\_\_

Wing Position: \_\_\_\_\_

Wing Angle: \_\_\_\_\_

**bmt701**